



JOHNSON PUMP
AN SPX BRAND

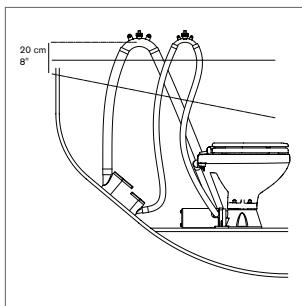


AquaT Standard Electric

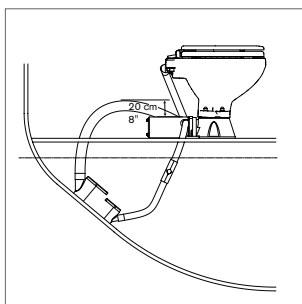
state-of-the-art marine toilet

The porcelain bowl AquaT standard electric toilets combine ease of installation with electric flushing and one touch control panel.

From a name you can trust, the AquaT standard electric toilet provides the comfort and convenience of a land-based lavatory at sea. Priced competitively, the fine finish and well thought-through design of these toilets is remarkable. Made from white vitreous porcelain, and with corrosion resistant parts throughout, the AquaT standard electric toilet, is quiet, robust and easy to clean. The perfect choice for both sailboats and powerboats. Possible to install either above or below the waterline.



Toilet mounted below the waterline and discharging overboard.



Toilet mounted above the waterline and discharging overboard.

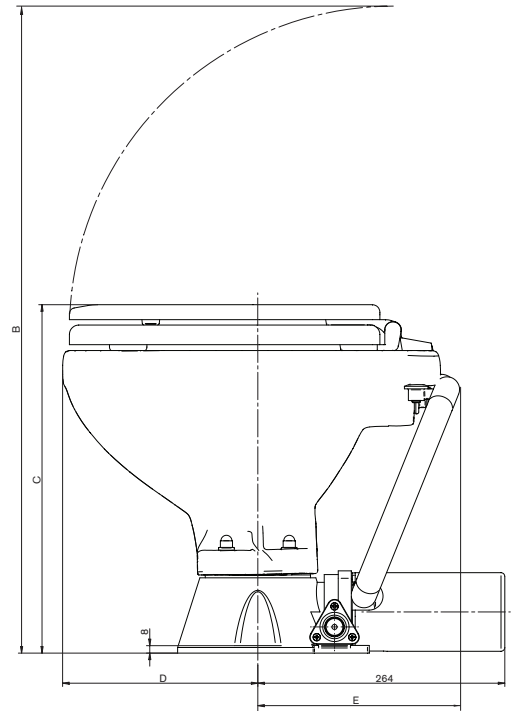
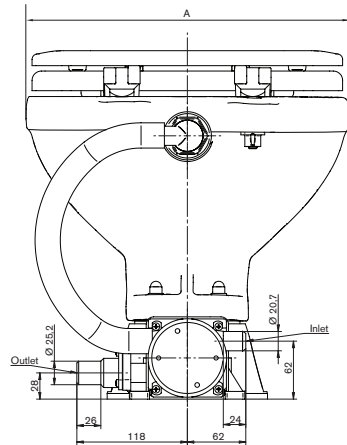
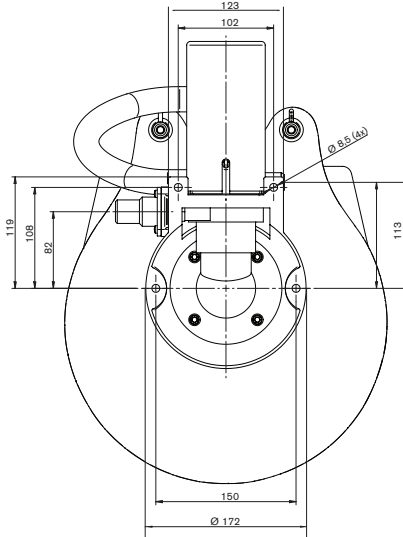
Features & Benefits

- One self priming electric pump with macerator for flushing and disposal
- Available in 12V or 24V versions
- Available in comfort or compact bowl size
- Clean lines - attractive design
- Hygienic, easy-to-clean
- Robust wooden seat with durable baked enamel finish
- Low water consumption. 2,5 l/flush
- Versatile plumbing connection options
- Automatic back-flow prevention
- Designed for virtually any onboard mounting position
- May be installed above or below the waterline
- Suitable for OEM or replacement installation
- Corrosion resistant materials throughout
- Long Service life
- Complies with ISO 8846, ignition protection and EN 55014 EMC

SPX®

Dimensions

Order No.	Description	A	B	C	D	E
80-47435-01	Std. electric compact, 12V	345	692	373	209	216
80-47435-02	Std. electric compact, 24V					
80-47436-01	Std. electric comfort, 12V	366	747	380	220	275
80-47436-02	Std. electric comfort, 24V					



SPX Johnson Pump Marine AB
 Nastagatan 19, P.O. Box 1436
 SE-701 14 Örebro, Sweden
 Phone: +46 (0)19 21 83 00 Fax: +46 (0)19 27 23 72
 E-mail: johnson-pump.marine@processequipment.spx.com

For more information about our worldwide locations, approvals, certifications, and local representatives, please visit www.johnson-pump.com or www.spxpe.com. SPX Corporation reserves the right to incorporate our latest design and material changes without notice or obligation. Design features, materials of construction and dimensional data, as described in this bulletin, are provided for your information only and should not be relied upon unless confirmed in writing.

Issued: 04/2009 JP-412-3

Copyright © 2009 SPX Corporation

SPX®

PROCESS EQUIPMENT