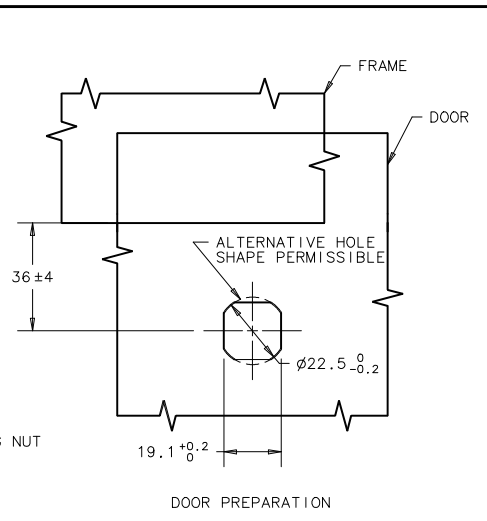
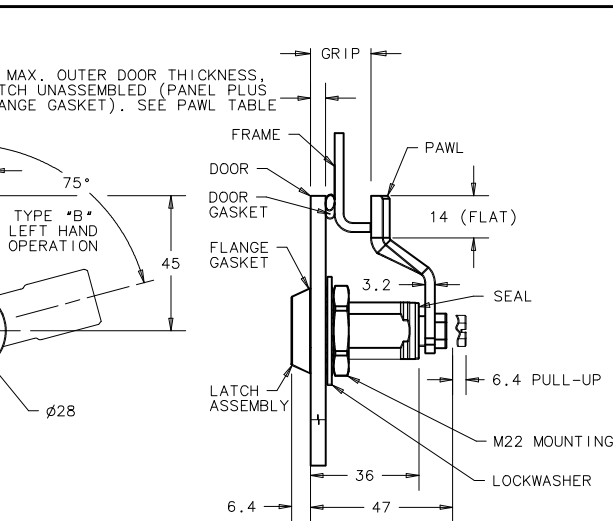


<b>southco</b> PROPRIETARY ITEM. EXCEPT FOR USES EXPRESSLY HEREON, IS CONFIDENTIAL AND ALL RIGHTS, PATENT AND OTHERWISE ARE RESERVED BY SOUTHCO, INC.	DATE	DESCR IPTION	MATERIAL	FINISH			
	REV	DRAWN/CHKD	COMPONENT				
	I	03FEB2009	MJS/JSS	PRN: P2009-0118	HOUSING	316 STAINLESS STEEL	PASSIVATED
	J	30JUL2010	MJS	PRN: P2010-0806	CAP	SEE NOTE 5	PASSIVATED
	K	17FEB2011	MJS	PRN: P2011-0204	BUSHING	316 STAINLESS STEEL	PASSIVATED
	L	08JUL2011	MJS	PRN: P2011-0424	RETAINER	302 STAINLESS STEEL	NATURAL
	M	27SEP2013	CMS/MGG	PRN: P2013-1938	SPRINGER	302 STAINLESS STEEL	PASSIVATED
	N	06NOV2013	CMS/BGL	PRN: P2013-2209	O-RING	BUNA-N	NATURAL
	O	05AUG2014	CMS/KH	PRN: P2014-1487	SLEEVE	304 STAINLESS STEEL	PASSIVATED
					CAM	1075 STEEL	ZINC IMERSION COATING
					SHAFT	316 STAINLESS STEEL	PASSIVATED
					PIN	1008 STEEL	ZINC ANGLE PLATE
					PAWL	304 STAINLESS STEEL	PASSIVATED
					SCREW	316 STAINLESS STEEL	PASSIVATED
					LOCKWASHER	304 STAINLESS STEEL	PASSIVATED
					MOUNTING NUT	304 STAINLESS STEEL	PASSIVATED
					GASKET SEAL	STAINLESS STEEL	NATURAL
					SEAL	NEOPRENE	NATURAL

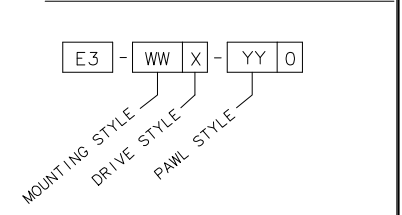
DRAWING NUMBER	J-E3-10-2
SCALE	0.6:1
DRAWN/CHKD	LJC
DATE	11MAY2001
DRIVE ACTION SERIES	STAINLESS STEEL E3 LATCH
MINIMUM PROTRUSION	VISE ACTION SERIES

MILL METERS	ALL DIMENSIONS W/THOUT TOLERANCES ARE FOR REFERENCE ONLY.
A3 PAPER SIZE	
THIRD ANGLE PROJECTION	



DRAWING NUMBER  
J-E3-10-2

ASSEMBLY PART NUMBER

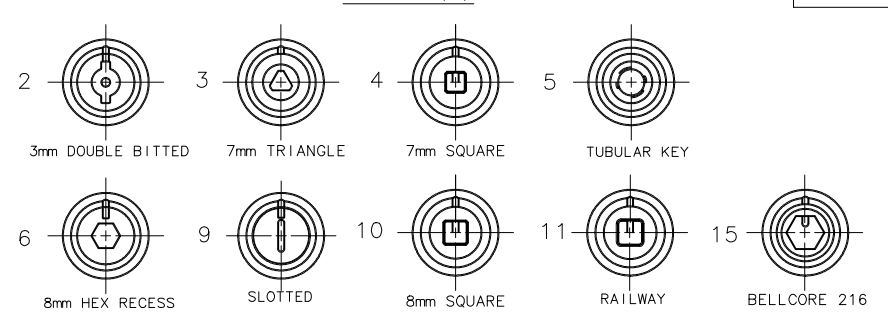


- MOUNTING STYLE:
- 10 - LATCH SHIPPED ASSEMBLED, TYPE A (TURN CLOCKWISE TO LATCH)
  - 12 - LATCH SHIPPED UNASSEMBLED, TYPE A (TURN CLOCKWISE TO LATCH)
  - 27 - LATCH SHIPPED ASSEMBLED, TYPE B (TURN COUNTERCLOCKWISE TO LATCH)
  - 29 - LATCH SHIPPED UNASSEMBLED, TYPE B (TURN COUNTERCLOCKWISE TO LATCH)

NOTES

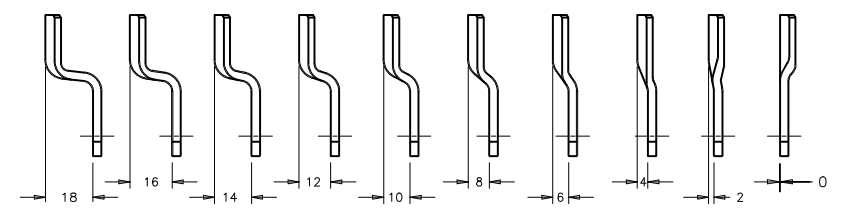
- OPERATION: 195° TURN OF DRIVER CAUSES PAWL TO ROTATE AND PULL UP AS SHOWN.
- DETERMINE TOTAL GRIP BY ADDING: MAX. OUTER DOOR THICKNESS (INCLUDE ALL ACCESSORIES) PLUS COMPRESSED FRAME GASKET AND FRAME THICKNESS.
- FIND YOUR TOTAL GRIP IN PAWL TABLE AND DETERMINE IF AN ASSEMBLED OR UNASSEMBLED LATCH IS TO BE USED BASED ON OUTER DOOR THK.
- INSTALLATION:
  - INSERT LATCH INTO HOLE IN DOOR. IN THE UNLATCHED POSITION CHECK FOR PROPER ORIENTATION AND OPERATION OF PAWL.
  - RECOMMENDED MOUNTING NUT (27mm ACROSS FLATS) TIGHTENING TORQUE IS 20Nm AND PAWL MOUNTING SCREW IS 10Nm.
- ALL DRIVERS EXCEPT TUBULAR KEY STYLE MADE FROM 304/316 STAINLESS STEEL. TUBULAR KEY STYLE MADE FROM 303/316 STAINLESS STEEL.

DRIVER (X)

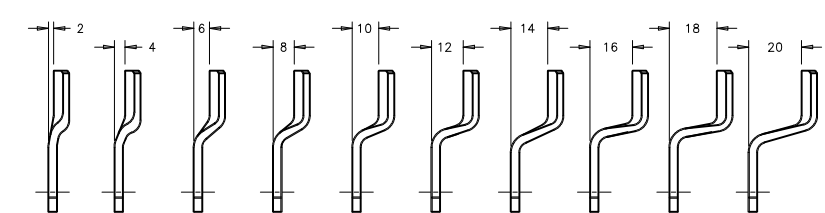


DRIVER	KEY PART NUMBER
3mm DOUBLE-BIT	E3-2-1
7mm TRIANGLE	E3-3-1
7mm SQUARE RECESS	E3-4-1
TUBULAR KEY	E3-5-15
8mm HEX RECESS	NOT SUPPLIED BY SOUTHCO
8mm RAILWAY	NOT SUPPLIED BY SOUTHCO
BELLCORE 216	E3-12-1
3mm SLOTTED RECESS	NOT SUPPLIED BY SOUTHCO

KEYS TO BE ORDERED SEPARATELY



TOTAL GRIP	20	22	24	26	28	30	32	34	36	38
MAX. OUTER DOOR THICKNESS (LATCH ASSEMBLED)	1	2	4	5	6	7	7	7	7	7
PAWL STYLE (YY)	00	01	02	03	04	05	06	07	08	09



TOTAL GRIP	40	42	44	46	48	50	52	54	56	58
MAX. OUTER DOOR THICKNESS (LATCH ASSEMBLED)	7	7	7	7	7	7	7	7	7	7
PAWL STYLE (YY)	10	11	12	13	14	15	16	17	18	19