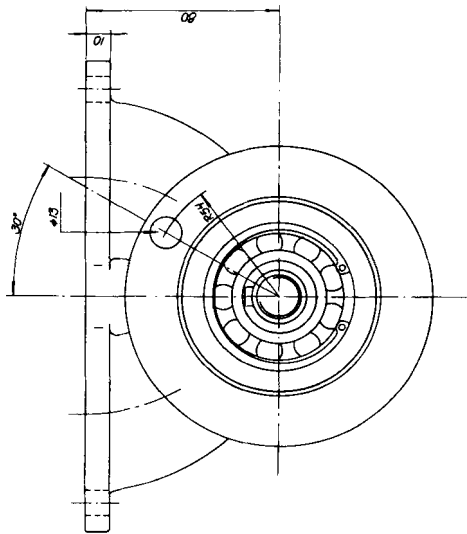
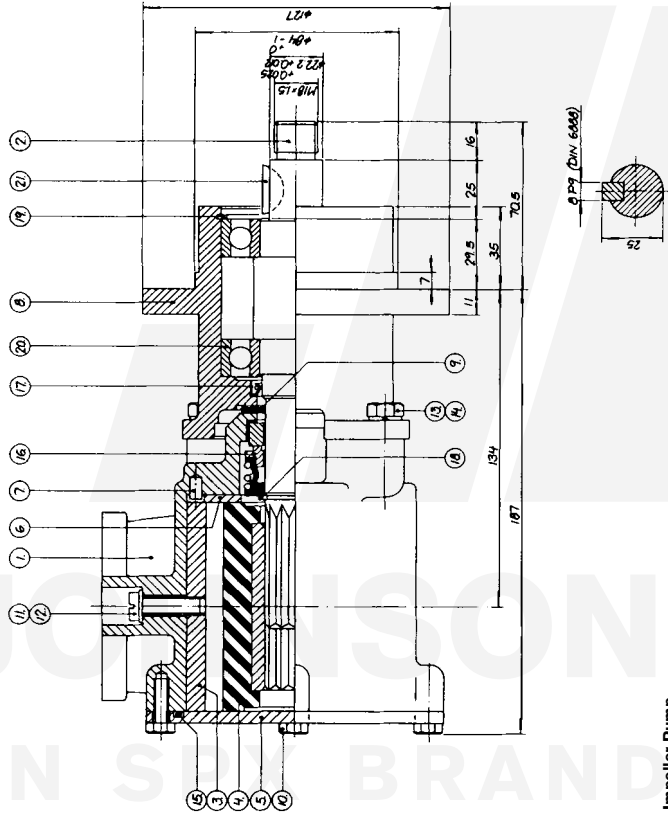


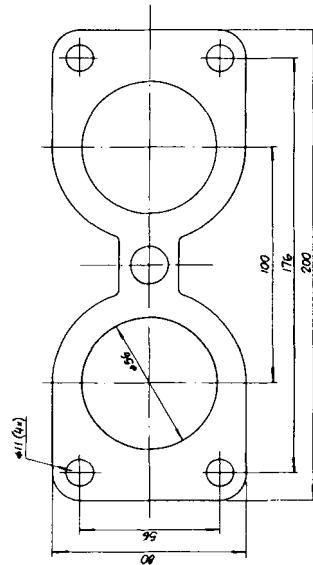
10-13080

pump F9B-9



F9B-9 Impeller Pump
Art. No. 10-13080-01

Part no.	Description GB	Position	Quantity
01-11370	BODY F9B-9	1	1
01-35276	SHAFT F9B-9	2	1
01-45173	CAM 1/1 F9B-9	3	1
08-814B	IMPELLER	4	1
01-45961	ENDCOVER F9B-9	5	1
01-42423	WEARPLATE F8/F80/F9/F95B-	6	1
01-42426	PIN	7	1
01-11207-3	BEARING HOUSING F9B-9	8	1
01-42427-15	SLINGER F8/F9B-	9	1
01138.134	TAPBOLT M6X12 DIN933 A2	10	4
01-46790-02	WASHER D8.2XD14X1 CU	11	1
01-46794-09	SCREW M8X25 AL-BRONZE	12	1
0.0363.309	SPRINGWASH D8.2 DIN127 STZN	13	4
0.0144.002	BOLT 5/16"-18UNCX20 SS1943	14	4
0.2173.459	O-RING 94.5X3 NBR/70SH	15	1
0.2247.051	MECH.SEAL COMPL 1" 106BT2C1	16	1
0.2283.002	LIP SEAL 28X38X7 DPSM	17	1
0.0370.525	EXT. CIRCLIP D25 DIN471 ST	18	1
0.0371.062	RETAIN RING BORE D62 DIN472 SPRST	19	1
0.3431.746	BALL BEARING 6206 2 RST ST	20	2
0.0503.038	WOODRUFFKEY 8X9X22 DIN6888 ST	21	1



Johnson Pump AB
 Type F9B-9
 10-13080