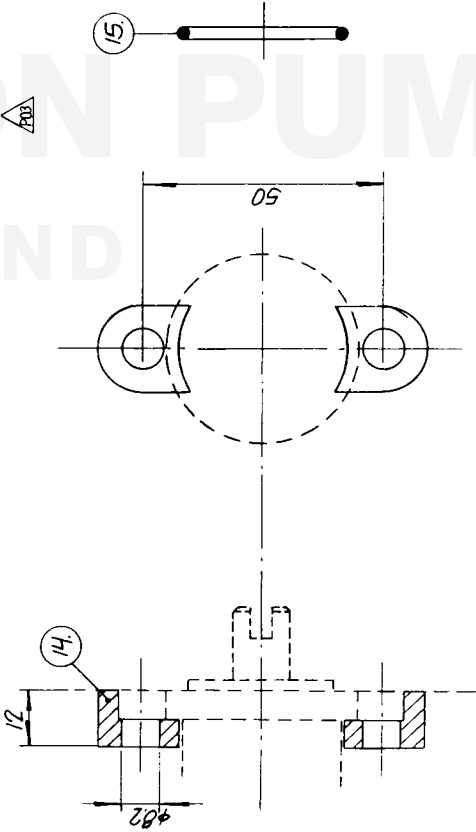


Pump nr	Pump type	Kam	Skruv	Bricka	Antal
Pump no	Pump type	Cam	Screw	Washer	Nos.
10-35241-1	F4B-9	01-42389	05-04-114	05-01-120	1
10-35241-2	F4B-902	01-45084	05-04-163	05-01-120	2

Markes på lock
Mark on end cover
Pumptyp-Pumpnr + ve. + kod
Pumptyp-Pumpnr + Weekly code



Part No	Det. nr	Material	Dimension	Draw No
Antal				Ritn. nr
16	1	Distansbricka - Spacer		01-46955
15	1	O-ring		05-06-521
14	2	Klamra - Clip		01-43230
13	1	Låsring - Retaining ring		05-34-131
12	2	Kullager - Ballbearing		05-00-503
11	2	Läpp tätning - Lip seal		05-29-139
10	1	Bricka - Washer		See table
9	1	Skruv - Screw		See table
8	1	Skruv - Screw		05-04-124
7	6	Skruv - Screw		05-04-163
6	1	Impeller		08-810 B
5	1	Lock - Endcover		01-45282
4	1	Packning - Gasket		01-45284
3	1	Kam - Cam		See table
2	1	Axel - Shaft		01-45556
1	1	Pumphus - Body		01-35239

This drawing is the property of J.P. Protected in accordance with the law. Reproduction without permission is prohibited. Skyddad enligt gällande lag.

Tolerance unless otherwise noted
Tolerans där ej annat anges

Unmachined surface
Obearbetad yta

Machined surface
Bearbetad yta

± 11.1/2

± 11.1/2

Sharp edges broken
Skarpa kanter brutna

Burrs not permitted
Burrar ej tillåtna

Radius unless otherwise noted
Radie där ej annat anges

Datum: 85-04-16

Sign: *[Signature]*

Scale: 1:1

Sheet: 1 of 1

Draw No: 10-35241/P03

Johnson Pump AB
Tune F4B-9 10-35241
Johnson Impellerpump

OREBRO SWEDEN
FA-00011106-01

Rev. No	Rev. No	Date	Sign.
Ändr. nr	Ändr. nr	Datum	Sign.
1221 P03	Mark on endcover changed.	760613	IG
461 P02	10-35241-2 tillkom	910122	RU DR
134 1.	Det. nr. 16 tillk.	860915	TE