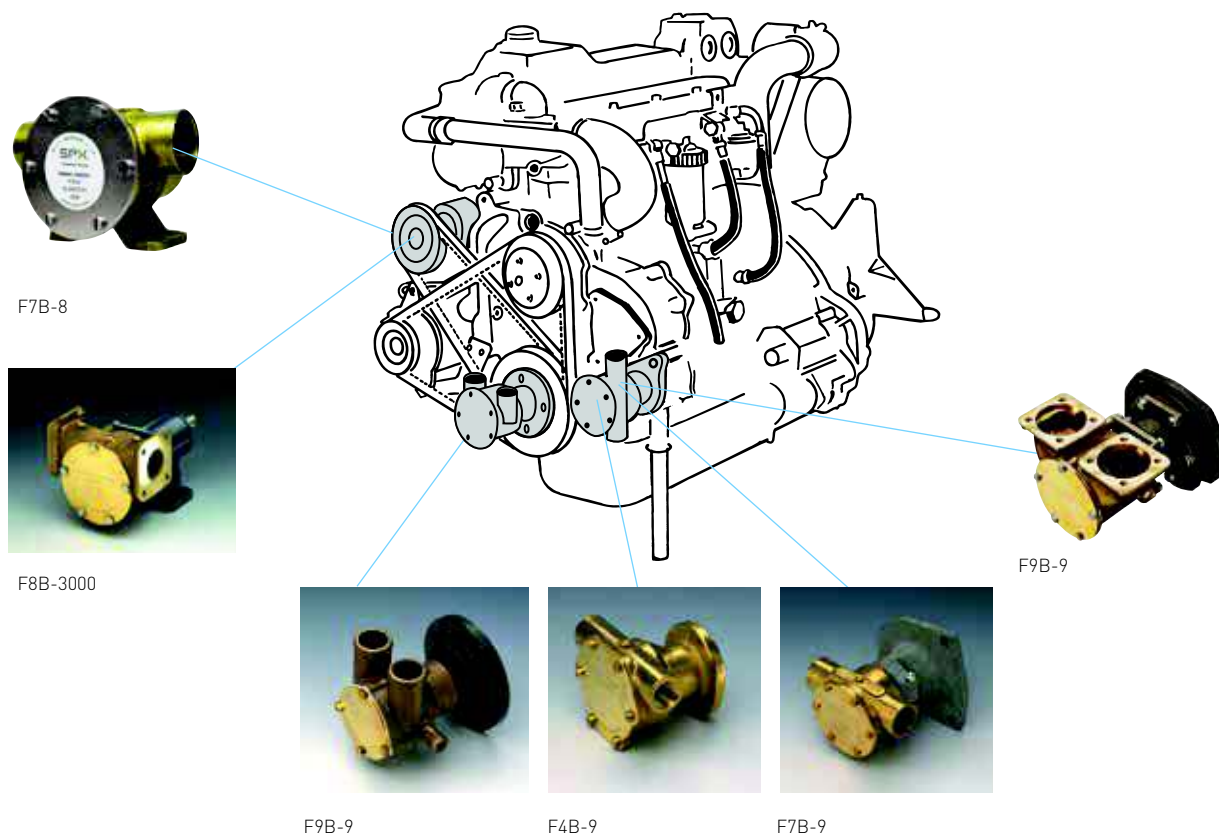


IMPELLER PUMPER - DIREKTE FLENSETE PUMPER

JOHNSON PUMP LEVERER IMPELLER PUMPER TIL DE FLESTE OG MEST KJENTE MOTOR PRODUSENTENE



HEAVY DUTY IMPELLERPUMPER - FB-8 SERIEN

Saltvannsbestandige allroundpumper i bronse
 Spesielt egnet som kjølevannpumpe, lensepumpe, spylepumpe, ferskvannpumpe, sirkulasjonpumpe, drivstoffpumpe og for pumping av septik og generell tømning og påfylling
 Kan benyttes på land for tømning av septik, spyling og overførsel av vann
 Selvsugende
 Nitrlimpeller leveres separat (-9)
 Vakuumbryter leveres separat



F7B-8



| Modell | Impeller | Rør kobling | Lengde | Bredde | Høyde | Vekt | Drivaksel | Pumpehus | Aksel | Tetning | Kam | |
|--------------|----------|--------------|--------|--------|-------|------|-----------|----------|--------|----------|----------|--------------------|
| J10-24569-01 | F35B-8 | J09-808B-1 | 3/8" | 109 | 80 | 30 | 0,5 kg | 12 mm | Bronse | Syrefast | Mekanisk | Hel eller redusert |
| J10-24570-01 | F4B-8 | J09-810B-1 | 3/8" | 111 | 80 | 50 | 0,8 kg | 12 mm | Bronse | Syrefast | Mekanisk | Hel eller redusert |
| J10-24571-01 | F5B-8 | J09-1027B-1 | 3/4" | 151 | 106 | 50 | 1,6 kg | 17 mm | Bronse | Syrefast | Mekanisk | Hel eller redusert |
| J10-24572-01 | F7B-8 | J09-1027B-9 | | | | | | | | | | |
| | | J09-1028BT-1 | 1" | 170 | 120 | 50 | 1,9 kg | 17 mm | Bronse | Syrefast | Mekanisk | Hel eller redusert |
| J10-13021-1 | F8B-8 | J09-1028B-9 | | | | | | | | | | |
| | | J09-819B | 1 1/2" | 217 | 160 | 65 | 5,9 kg | 24 mm | Bronse | Syrefas | Mekanisk | Hel eller redusert |
| | | J09-819B-9 | | | | | | | | | | |

EKSTRA HEAVY DUTY IMPELLERPUMPER - FB-3000 SERIEN

Ekstra kraftige saltvannsbestandige allroundpumper i bronse
 Spesielt egnet som kjølevannspumpe, lensepumpe, dekkspylepumpe, katastrofepumpe, brannslukningspumpe
 Selvsugende
 Pumpefot med permanent smurte doble kulelager

Motflenssett leveres separat
 Vakuumbryter leveres separat



F9B-3000



F9B-3000 TSS



F9B-3000VF



F7B-3000



F5B-3000

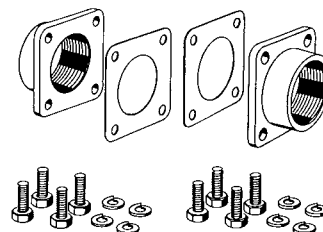
| | Modell | Impeller | Rør kobling gjenger | Lengde mm | Bredde mm | Høyde mm | Vekt | Drivaksel | Pumpehus | Aksel | Tettning | Kam |
|--------------|--------------|-------------|------------------------|--------------|--------------|-------------|--------|-----------|----------|----------|----------|--------------------|
| J10-24210-1 | F5B-3000 | J09-1027B-1 | 3/4" | 195 | 106 | 88 | 2,9 kg | Ø17 mm | Bronse | Syrefast | Mekanisk | Hel eller redusert |
| J10-24209-1 | F7B-3000 | J09-1028B | 1" | 213 | 120 | 93 | 3,1 kg | Ø17 mm | Bronse | Syrefast | Mekanisk | Hel eller redusert |
| J10-13024-1 | F8B-3000 VF | J09-819B | 1 1/2" | 255 | 152 | 154 | 7,6 kg | Ø24 mm | Bronse | Syrefast | Mekanisk | Hel eller redusert |
| J10-13175-01 | F8B-3000 TSS | J09-819B | 1 1/2" | 255 | 198 | 151 | 7,6 kg | Ø24 mm | Bronse | Syrefast | Mekanisk | Hel eller redusert |
| J10-13026-1 | F9B-3000 | J09-802B | 2" | 282 | 192 | 157 | 9,3 kg | Ø24 mm | Bronse | Syrefast | Mekanisk | Hel eller redusert |
| J10-13225-01 | F9B-3000 VF | J09-802B | 2" | 282 | 152 | 175 | 9,3 kg | Ø24 mm | Bronse | Syrefast | Mekanisk | Hel eller redusert |
| J10-13177-01 | F9B-3000 TSS | J09-802B | 2" | 282 | 200 | 151 | 9,3 kg | Ø24 mm | Bronse | Syrefast | Mekanisk | Hel eller redusert |

EKSTRA HEAVY DUTY IMPELLERPUMPER - FB-3000 SERIEN - HIGH FLOW



| | Modell | Impeller | Rør kobling gjenger | Lengde mm | Bredde mm | Høyde mm | Vekt | Drivaksel | Pumpehus | Aksel | Tettning | Kam |
|--------------|-----------|----------|------------------------|--------------|--------------|-------------|---------|-----------|----------|----------|----------|--------------------|
| J10-13121-01 | F95B-3000 | J09-820B | 2 1/2" | 354 | 246 | 226 | 17,2 kg | Ø24 mm | Bronse | Syrefast | Mekanisk | Hel eller redusert |

MOTFLENS SET



J09-43112 For F8B-3000 VF / F8B-5000 VF / F8B-3000 TSS / F8B-5000 TSS
 J09-46557-01 For F9B-3000 VF / F9B-5000 VF / F9B-3000 TSS / F9B-5000 TSS

VAKUUM BRYTER

Kan monteres på alle selvsugende impeller pumper

Kan betjenes med fjern montert bryter eller manuelt på bryteren
 Vakuumbryter slår av pumpen automatisk når den pumper luft, - dvs. når tanken eller kjølen er tømt
 - hindrer pumpen ødelegges pga. tørrkjøring



J09-45053

Johnson Pump

IMPELLER PUMPER MED ELEKTRO - MAGNETISK CLUTCH

Clutch leveres separat i 12V eller 24V
 Pumpen slås av og på med elektro-magnetisk clutch
 Med vakuum bryter vil pumpe slås automatisk av og på
 - hindrer pumpen ødelegges pga. tørrkjøring
 Ekstra kraftige saltvannsbestandige allroundpumper i bronse
 Spesielt egnet som kjølevannspumpe, lensepumpe,
 dekkspylepumpe, katastrofepumpe, brannslukningspumpe
 Selvsugende
 Pumpefot med permanent smurte doble kulelager
 Motflenssett og vakuumbryter leveres separat



F7B-5001



F8B-5001

HEAVY DUTY - 5000 SERIEN

| | Modell | Impeller | Rør kobling gjenger | Lengde | Bredde | Høyde | Vekt | Pumpehus | Aksel | Tettning | Kam |
|--------------|----------|-----------|------------------------|--------|--------|--------|--------|----------|----------|----------|--------------------|
| J10-24577-99 | F7B-5001 | J09-1028B | 1" | 156 mm | 120 mm | 93 mm | 5,8 kg | Bronse | Syrefast | Mekanisk | Hel eller redusert |
| J10-13022-99 | F8B-5001 | J09-819B | 1 1/2" | 255 mm | 160 mm | 124 mm | 9,9 kg | Bronse | Syrefast | Mekanisk | Hel eller redusert |

EXTRA HEAVY DUTY - 5000 SERIEN



F8B-5000 TSS



F7B-5000



F8B-5000 VF



F9B-5600



F9B-5600 TSS



F9B-5600 VF

| | Modell | Impeller | Rør kobling gjenger | Lengde | Bredde | Høyde | Vekt | Pumpehus | Aksel | Tettning | Kam |
|--------------|--------------|-----------|------------------------|--------|--------|--------|---------|----------|----------|----------|--------------------|
| J10-24116-99 | F7B-5000 | J09-1028B | 1" | 226 mm | 120 mm | 93 mm | 6,9 kg | Bronse | Syrefast | Mekanisk | Hel eller redusert |
| J10-13025-99 | F8B-5000 VF | J09-819B | 1 1/2" | 265 mm | 152 mm | 154 mm | 11,9 kg | Bronse | Syrefast | Mekanisk | Hel eller redusert |
| J10-13176-99 | F8B-5000 TSS | J09-819B | 1 1/2" | 265 mm | 198 mm | 151 mm | 11,9 kg | Bronse | Syrefast | Mekanisk | Hel eller redusert |
| J10-13027-99 | F9B-5600 | J09-814B | 2" | 290 mm | 192 mm | 157 mm | 13,2 kg | Bronse | Syrefast | Mekanisk | Hel eller redusert |
| | | J09-802B | | | | | | | | | |
| J10-13226-99 | F9B-5600 VF | J09-814B | 2" | 290 mm | 152 mm | 175 mm | 13,2 kg | Bronse | Syrefast | Mekanisk | Hel eller redusert |
| | | J09-802B | | | | | | | | | |
| J10-13178-99 | F9B-5600 TSS | J09-814B | 2" | 290 mm | 200 mm | 151 mm | 13,2 kg | Bronse | Syrefast | Mekanisk | Hel eller redusert |
| | | J09-802B | | | | | | | | | |

EKSTRA HEAVY DUTY - 5000 SERIEN - HIGH FLOW



| | Modell | Impeller | Rør kobling gjenger | Lengde | Bredde | Høyde | Vekt | Pumpehus | Aksel | Tettning | Kam |
|--------------|-----------|----------|------------------------|--------|--------|--------|---------|----------|----------|----------|--------------------|
| J10-13143-99 | F95B-5000 | J09-820B | 2 1/2" | 358 mm | 246 mm | 226 mm | 21,0 kg | Bronse | Syrefast | Mekanisk | Hel eller redusert |

ELEKTRO MAGNETISK CLUTCH

Diameter Ø178 mm

| | | | |
|-------------|-----|-------|----------|
| J0.3454.001 | 12V | 2 x A | remskive |
| J0.3454.002 | 24V | 2 x A | remskive |
| J0.3454.003 | 12V | 1 x B | remskive |
| J0.3454.004 | 24V | 1 x B | remskive |



REMSKIVER I ALUMINIUM

| | Diameter | Aksel diameter | Spor |
|---------------|----------|----------------|---------|
| FMV 620-2BF17 | 62 mm | 17 mm | 2B-spor |
| FMV 856-F12 | 85 mm | 12 mm | A-spor |
| FMV 856-F17 | 85 mm | 17 mm | A-spor |
| FMV 1056-F17 | 105 mm | 17 mm | A-spor |
| FMV 1456-F12 | 145 mm | 12 mm | A-spor |
| FMV 1656-F12 | 165 mm | 12 mm | A-spor |
| FMV 1856-F12 | 185 mm | 12 mm | A-spor |



Bronze Impeller Pump Performance Tables

Note! Reduced cam - 30-40% lower capacity
Impeller of nitrile - adjust total head approx. 30% down

| F35B | | | 700 rpm | | | 900 rpm | | | 1400 rpm | | | 1750 rpm | | | 2000 rpm | | | 2500 rpm | | |
|------|-----|------|---------|-------|-----|---------|-------|-----|----------|-------|-----|----------|-------|-----|----------|-------|-----|----------|-------|-----|
| Bar | kPa | ft | kW | l/min | GPM | kW | l/min | GPM | kW | l/min | GPM | kW | l/min | GPM | kW | l/min | GPM | kW | l/min | GPM |
| 0.3 | 30 | 10.1 | 0.06 | 5.2 | 1.4 | 0.09 | 6.8 | 1.8 | 0.13 | 11.2 | 3.0 | 0.16 | 14.0 | 3.7 | 0.18 | 16.0 | 4.2 | 0.18 | 20.5 | 5.4 |
| 0.6 | 60 | 20.1 | 0.09 | 4.6 | 1.2 | 0.09 | 6.2 | 1.6 | 0.13 | 10.6 | 2.8 | 0.16 | 13.7 | 3.6 | 0.18 | 15.8 | 4.1 | 0.18 | 19.6 | 5.2 |
| 1.0 | 100 | 33.5 | 0.09 | 4.0 | 1.1 | 0.09 | 5.6 | 1.5 | 0.18 | 9.2 | 2.4 | 0.18 | 11.8 | 3.1 | 0.18 | 13.6 | 3.6 | 0.18 | 17.0 | 4.5 |

| F4B | | | 700 rpm | | | 900 rpm | | | 1400 rpm | | | 1750 rpm | | | 2000 rpm | | | 2500 rpm | | |
|-----|-----|------|---------|-------|-----|---------|-------|-----|----------|-------|-----|----------|-------|-----|----------|-------|-----|----------|-------|-----|
| Bar | kPa | ft | kW | l/min | GPM | kW | l/min | GPM | kW | l/min | GPM | kW | l/min | GPM | kW | l/min | GPM | kW | l/min | GPM |
| 0.3 | 30 | 10.1 | 0.06 | 12.0 | 3.2 | 0.09 | 15.0 | 4.0 | 0.13 | 23.0 | 6.0 | 0.17 | 27.0 | 7.1 | 0.18 | 30.5 | 8.1 | 0.18 | 34.5 | 9.1 |
| 0.6 | 60 | 20.1 | 0.09 | 11.0 | 2.9 | 0.09 | 14.0 | 3.7 | 0.13 | 21.0 | 5.4 | 0.17 | 25.0 | 6.6 | 0.18 | 28.0 | 7.4 | 0.18 | 33.0 | 8.7 |
| 1.0 | 100 | 33.5 | 0.09 | 9.0 | 2.4 | 0.09 | 11.0 | 2.9 | 0.18 | 18.0 | 4.8 | 0.18 | 22.0 | 5.8 | 0.18 | 25.0 | 6.6 | 0.18 | 29.5 | 7.8 |
| 1.5 | 150 | 50.3 | 0.09 | 4.5 | 1.2 | 0.09 | 7.0 | 1.8 | 0.18 | 13.5 | 3.6 | 0.18 | 17.0 | 4.5 | 0.18 | 20.0 | 5.3 | 0.24 | 25.0 | 6.6 |

| F5B | | | 700 rpm | | | 900 rpm | | | 1400 rpm | | | 1750 rpm | | | 2000 rpm | | |
|-----|-----|------|---------|-------|-----|---------|-------|-----|----------|-------|-----|----------|-------|------|----------|-------|------|
| Bar | kPa | ft | kW | l/min | GPM | kW | l/min | GPM | kW | l/min | GPM | kW | l/min | GPM | kW | l/min | GPM |
| 0.3 | 30 | 10.1 | 0.13 | 16.0 | 4.2 | 0.18 | 21.0 | 5.5 | 0.37 | 33.0 | 8.7 | 0.37 | 41.0 | 10.8 | 0.37 | 46.0 | 12.2 |
| 0.6 | 60 | 20.1 | 0.13 | 15.0 | 4.0 | 0.18 | 20.0 | 5.3 | 0.37 | 32.0 | 8.5 | 0.37 | 39.5 | 10.4 | 0.37 | 45.0 | 11.9 |
| 1.0 | 100 | 33.5 | 0.13 | 14.0 | 3.7 | 0.18 | 19.0 | 5.0 | 0.37 | 30.0 | 7.9 | 0.37 | 37.0 | 9.8 | 0.37 | 42.0 | 11.1 |
| 1.5 | 150 | 50.3 | 0.13 | 13.0 | 3.4 | 0.18 | 17.0 | 4.5 | 0.37 | 27.0 | 7.1 | 0.37 | 33.5 | 8.9 | 0.37 | 38.0 | 10.0 |
| 2.0 | 200 | 67.1 | - | - | - | - | - | - | 0.37 | 22.0 | 5.8 | 0.37 | 28.5 | 7.5 | 0.37 | 33.0 | 8.07 |

| F7B | | | 700 rpm | | | 900 rpm | | | 1400 rpm | | | 1750 rpm | | | 2000 rpm | | |
|-----|-----|------|---------|-------|-----|---------|-------|------|----------|-------|------|----------|-------|------|----------|-------|------|
| Bar | kPa | ft | kW | l/min | GPM | kW | l/min | GPM | kW | l/min | GPM | kW | l/min | GPM | kW | l/min | GPM |
| 0.3 | 30 | 10.1 | 0.37 | 36.0 | 9.5 | 0.37 | 46.0 | 12.2 | 0.75 | 74.0 | 19.6 | 0.75 | 98.0 | 25.9 | 0.75 | 107.0 | 28.3 |
| 0.6 | 60 | 20.1 | 0.37 | 34.0 | 9.0 | 0.37 | 44.0 | 11.6 | 0.75 | 72.0 | 19.0 | 0.75 | 96.0 | 25.4 | 0.75 | 104.0 | 27.5 |
| 1.0 | 100 | 33.5 | 0.37 | 29.0 | 7.7 | 0.37 | 40.0 | 10.6 | 0.75 | 67.0 | 17.7 | 0.75 | 87.0 | 23.0 | 0.75 | 98.0 | 25.9 |
| 1.8 | 180 | 60.4 | 0.37 | 21.0 | 5.5 | 0.37 | 30.0 | 7.9 | 0.75 | 57.0 | 15.1 | 0.75 | 73.0 | 19.3 | 0.75 | 84.0 | 22.2 |
| 2.5 | 250 | 83.8 | - | - | - | - | - | - | 0.75 | 37.0 | 9.8 | 1.1 | 52.0 | 13.7 | 1.1 | 63.0 | 16.6 |

| F8B | | | 700 rpm | | | 900 rpm | | | 1400 rpm | | | 1750 rpm | | | 2000 rpm | | |
|-----|-----|------|---------|-------|-----|---------|-------|------|----------|-------|------|----------|-------|------|----------|-------|------|
| Bar | kPa | ft | kW | l/min | GPM | kW | l/min | GPM | kW | l/min | GPM | kW | l/min | GPM | kW | l/min | GPM |
| 0.3 | 30 | 10.1 | 0.37 | 87.0 | 9.5 | 0.75 | 114.0 | 30.1 | 1.1 | 188.0 | 50.0 | 1.5 | 241.0 | 63.7 | 1.5 | 279.0 | 73.7 |
| 0.6 | 60 | 20.1 | 0.37 | 80.0 | 9.0 | 0.75 | 107.0 | 28.3 | 1.1 | 180.0 | 47.6 | 1.5 | 233.0 | 61.6 | 1.5 | 270.0 | 71.3 |
| 1.0 | 100 | 33.5 | 0.37 | 73.0 | 7.7 | 0.75 | 101.0 | 26.7 | 1.1 | 177.0 | 46.8 | 1.5 | 228.0 | 60.2 | 1.5 | 264.0 | 69.7 |
| 1.8 | 180 | 60.4 | - | - | - | 1.1 | 70.0 | 18.5 | 1.1 | 148.0 | 39.1 | 2.2 | 203.0 | 53.6 | 2.2 | 242.0 | 63.4 |
| 2.5 | 250 | 83.8 | - | - | - | - | - | - | 1.1 | 108.0 | 28.5 | 2.2 | 166.0 | 43.9 | 2.2 | 208.0 | 55.0 |

| F9B-5000 | | | 700 rpm | | | 900 rpm | | | 1400 rpm | | | 1750 rpm | | | 2000 rpm | | |
|----------|-----|------|---------|-------|------|---------|-------|------|----------|-------|------|----------|-------|------|----------|-------|-------|
| Bar | kPa | ft | kW | l/min | GPM | kW | l/min | GPM | kW | l/min | GPM | kW | l/min | GPM | kW | l/min | GPM |
| 0.3 | 30 | 10.1 | 0.75 | 129.0 | 34.1 | 0.75 | 170.0 | 44.9 | 1.5 | 268.0 | 70.8 | 1.5 | 331.0 | 87.5 | 2.2 | 388.8 | 102.7 |
| 0.6 | 60 | 20.1 | 0.75 | 124.0 | 32.8 | 0.75 | 161.0 | 42.5 | 1.5 | 260.0 | 68.9 | 2.2 | 323.0 | 85.3 | 2.2 | 383.1 | 101.2 |
| 1.0 | 100 | 33.5 | 0.75 | 118.8 | 31.4 | 1.1 | 156.0 | 41.2 | 1.5 | 255.6 | 67.5 | 2.2 | 315.2 | 83.3 | 3.0 | 379.2 | 100.2 |
| 1.8 | 180 | 60.4 | 1.1 | 105.0 | 27.7 | 1.1 | 140.0 | 37.0 | 1.5 | 235.0 | 62.1 | 2.2 | 286.1 | 75.6 | 3.0 | 351.3 | 92.8 |
| 2.5 | 250 | 83.8 | 1.1 | 83.7 | 22.1 | 1.5 | 102.0 | 26.9 | 2.2 | 208.0 | 55.2 | 3.0 | 266.0 | 70.3 | 3.0 | 304.1 | 80.3 |

| F9B-5600 | | | 700 rpm | | | 900 rpm | | | 1400 rpm | | | 1750 rpm | | | 2000 rpm | | |
|----------|-----|-------|---------|-------|------|---------|-------|------|----------|-------|------|----------|-------|------|----------|-------|------|
| Bar | kPa | ft | kW | l/min | GPM | kW | l/min | GPM | kW | l/min | GPM | kW | l/min | GPM | kW | l/min | GPM |
| 0.3 | 30 | 10.1 | 0.75 | 129.0 | 34.1 | 1.1 | 170.0 | 44.9 | 1.5 | 270.0 | 71.3 | 1.5 | 331.0 | 87.5 | 2.2 | 376.0 | 99.3 |
| 0.6 | 60 | 20.1 | 0.75 | 126.0 | 32.8 | 1.1 | 165.0 | 43.6 | 1.5 | 266.0 | 70.3 | 2.2 | 323.0 | 85.3 | 2.2 | 368.0 | 97.2 |
| 1.0 | 100 | 33.5 | 0.75 | 123.0 | 32.5 | 1.1 | 161.1 | 42.6 | 2.2 | 260.0 | 68.7 | 2.2 | 314.0 | 83.3 | 3.0 | 361.0 | 95.4 |
| 1.8 | 180 | 60.4 | 0.75 | 110.0 | 29.1 | 1.5 | 153.0 | 40.4 | 2.2 | 242.0 | 63.9 | 2.2 | 291.0 | 76.9 | 3.0 | 340.0 | 89.8 |
| 2.5 | 250 | 83.8 | 1.1 | 90.0 | 23.8 | 1.5 | 130.0 | 34.3 | 2.2 | 218.0 | 57.6 | 3.0 | 269.0 | 71.1 | 3.0 | 312.0 | 82.4 |
| 3.0 | 300 | 100.6 | 1.5 | 61.0 | 16.1 | 2.2 | 102.0 | 26.9 | 3.0 | 190.0 | 50.2 | 3.0 | 242.0 | 63.9 | 3.5 | 284.0 | 75.0 |
| 3.5 | 350 | 117.4 | - | - | - | - | - | - | 3.0 | 160.0 | 42.3 | 3.5 | 205.0 | 54.2 | 3.5 | 235.0 | 62.1 |

| F95B | | | 700 rpm | | | 900 rpm | | | 1400 rpm | | | 1750 rpm | | | 2500 rpm | | |
|------|-----|------|---------|-------|------|---------|-------|------|----------|-------|-------|----------|-------|-------|----------|-------|-------|
| Bar | kPa | ft | kW | l/min | GPM | kW | l/min | GPM | kW | l/min | GPM | kW | l/min | GPM | kW | l/min | GPM |
| 0.5 | 50 | 16.8 | 0.75 | 182.6 | 48.2 | 1.1 | 236.5 | 62.5 | 1.5 | 384.2 | 101.5 | 2.2 | 483.6 | 127.8 | 4.0 | 626.7 | 165.5 |
| 1.0 | 100 | 33.5 | 1.1 | 172.7 | 45.6 | 1.1 | 231.3 | 61.1 | 1.5 | 372.0 | 98.3 | 3.0 | 472.9 | 124.9 | 5.5 | 617.9 | 163.2 |
| 1.5 | 150 | 50.3 | 1.1 | 160.1 | 42.3 | 1.5 | 214.5 | 56.7 | 2.2 | 350.4 | 92.6 | 3.0 | 444.1 | 117.3 | 5.5 | 583.8 | 154.2 |
| 2.0 | 200 | 67.1 | 1.1 | 132.3 | 35.0 | 1.5 | 181.0 | 47.8 | 3.0 | 315.4 | 83.3 | 3.5 | 406.2 | 107.3 | 5.5 | 553.1 | 146.1 |
| 2.5 | 250 | 83.8 | 1.5 | 79.5 | 21.0 | 2.2 | 137.8 | 36.4 | 3.0 | 267.6 | 70.7 | 4.0 | 361.3 | 95.5 | 7.5 | 506.4 | 133.8 |