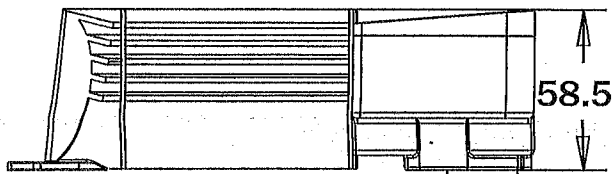
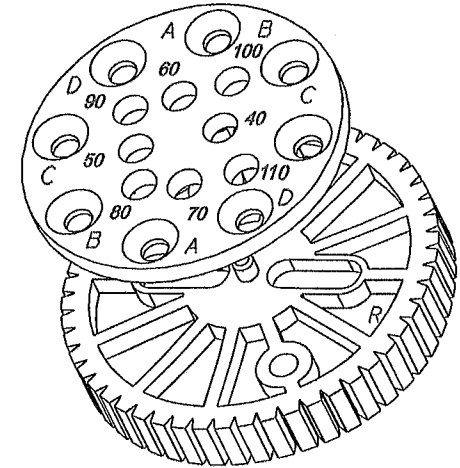


Wiper Motor Torque : 1.5 Nm  
 Two Speed  
 Isolated Ground Type  
 IP Rate : 66  
 Pivot : L=1" (25.4mm), 2" (50.8mm), 3" (76.2mm)

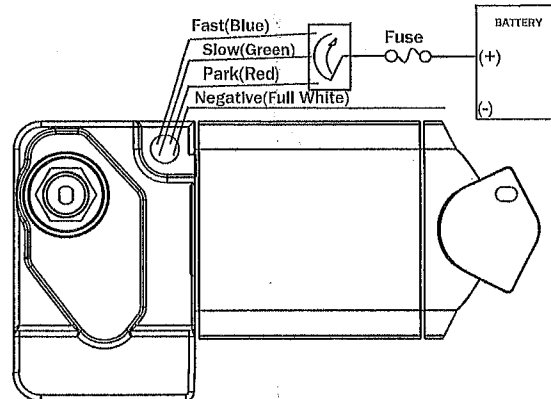
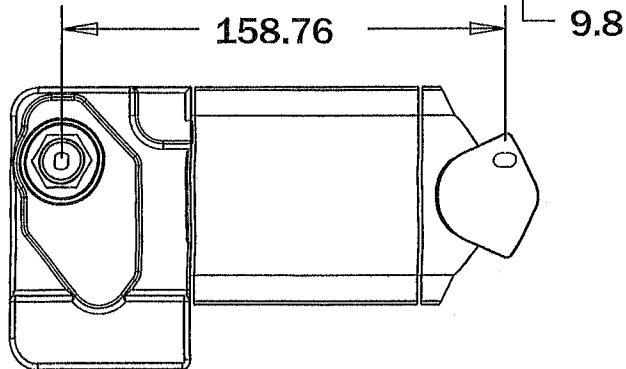
**MOTOR SPECIFICATIONS**

	Part No.	169511-12CE	169511-24CE
	Voltage	12V	24V
	Range of voltage	12V +10%	24V +10%
	Self-Parking	Yes	Yes
Without Load	Torque	18.5 Nm	18.1 Nm
	Current	1.2A	0.62A
	Speed	Fast 63   Slow 42	Fast 61   Slow 41
Working Load	Current	1.2A ~ 3.5A	0.62A ~ 1.83A
	Speed	Fast 57   Slow 39	Fast 55   Slow 39
Blocked Spindle	Torque	16.8 Nm	16.6 Nm
	Current	11.2A	6.01A

Different Angle & Parking Configurations.  
 To be adjusted when motor is stopped in parking pos.



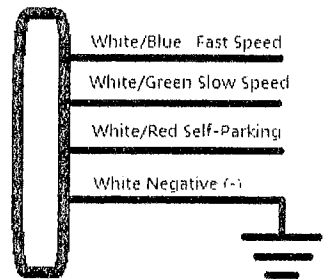
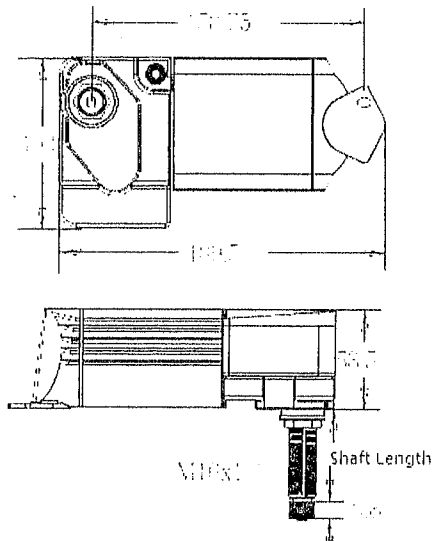
M16x1.0



Angle/Park      Hole      Pos.

40/R	D	1
40/L	D	2
50/R	D	2
50/L	D	2
60/R	B	2
60/L	B	1
70/R	B	1
70/L	B	2
80/R	C	2
80/L	C	1
90/R	A	2
90/L	A	1
100/R	C	1
100/L	C	2
110/R	A	1
110/L	A	2

Scale	1:1				
Projection					
Unit	mm	Part Name			
Approved	D.C. Lu				
Designer	D.C. Lu	Material		Drawing Number	A78-0001
Drawn	Kelly Lu	Quantity			



### IP66 WATERPROOF WINDSHIELD WIPER MOTOR

Waterproof Heavy Duty motor with IP66 Rated, Isolated Ground Type and 316SS Wiper Shaft. 15Nm of Torque. Two kinds of Sweep : Slow 32~40 sweep/min, Fast 52~60 sweep/min. Adjustable Sweep Angle from 40 - 110, 10 deg. increments. Adjustable Self-Parking in Right or Left position. Motor preset at 110 deg. with Right parking. CE Approval. Max. Wiper Arm Length : 24" (610mm) & Max. Wiper Blade Length : 24" (610mm)

### ITEM NUMBER DESCRIPTION

MODEL	SWEEP	SHAFT LENGTH
<input type="checkbox"/> 169311	110	38mm
<input type="checkbox"/> 169318	80	38mm
<input type="checkbox"/> 169321	110	64mm
<input type="checkbox"/> 169328	80	64mm
<input type="checkbox"/> 169331	110	90mm
<input type="checkbox"/> 169338	80	90mm

### VOLTAGE

- 12V 2AMP Use 5A Fuse
- 24V 1AMP Use 3A Fuse