

Navigation Lights

Series 40

Navigation lights with traditional design and robust housing



Application

Application depending on required visibilities and vessel size. See table in chapter Information.

Housing

Polycarbonate, black or white, impact and shock resistant, non-corrosive (stainless steel), non-magnetic, seawater resistant

Optics

Lens: Fresnel, range of visibility 2 nm (Masthead 3 nm). Material: plastic, impact and shock proof, seawater resistant

Protection degree

IP56

Mounting

Side-mount, deck-mount and hoistable mount. Different bracket variants for side-mount are available. For more information see drawing on page 31.

Electric

Cable entry PG 9

Light source

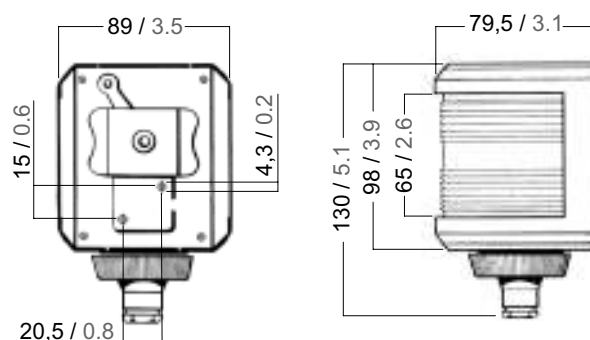
BAY 15d, 10 / 25 W included

Remark




Certification Applicability
Aqua Signal navigation lights are certified as a complete assembly including the original equipment bulb. Use only certified OEM replacement bulbs to maintain ongoing certification.

Side-mount

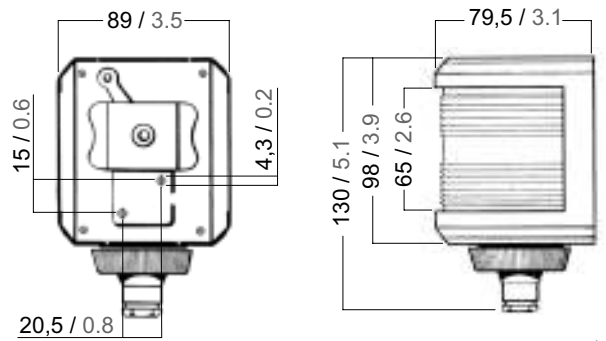
Starboard / Port / Bicolor



Dimensions in: mm / inch

	Description	Vessel size	Wattage	Visibility	Mounting	Housing colour	Art. no. 12 V	Art. no. 24 V
	Starboard	< 50 m / < 164 ft.	25 W	2 nm	Side-mount	Black	3505102000	3505103000
	Port	< 50 m / < 164 ft.	25 W	2 nm	Side-mount	Black	3504202000	3504203000
	Bicolor	< 20 m / < 65 ft.	25 W	2 nm	Side-mount	Black	3503302000	3503303000

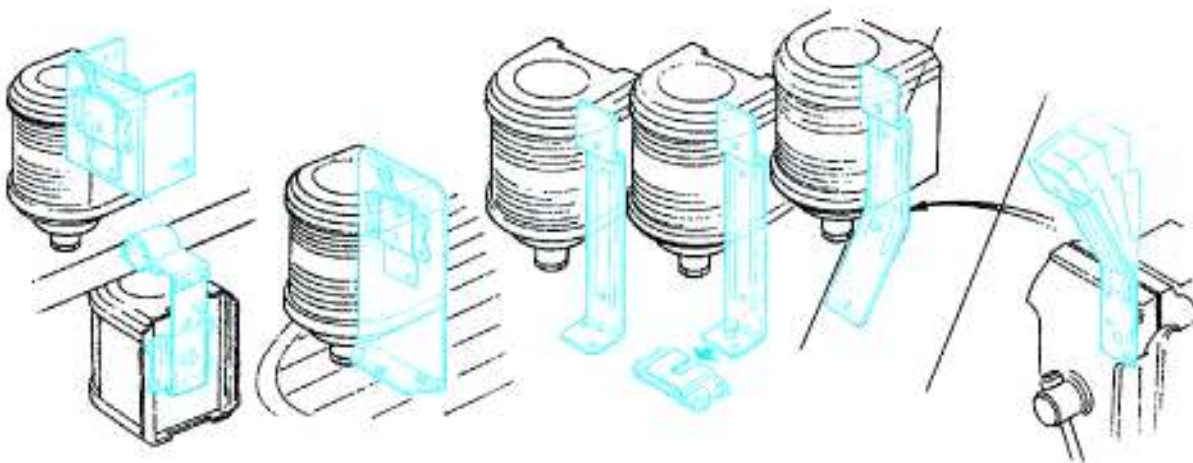
Side-mount
Masthead / Stern



Dimensions in: mm / inch

	Description	Vessel size	Wattage	Visibility	Mounting	Housing colour	Art. no. 12 V	Art. no. 24 V
	Masthead	< 20 m / < 65 ft.	25 W	3 nm	Side-mount	Black	3501002000	3501003000
	Stern	< 50 m / < 164 ft.	10 W	2 nm	Side-mount	Black	3502002000	3502003000
	Stern yellow	< 50 m / < 164 ft.	10 W	2 nm	Side-mount	Black	3502402000	3502403000

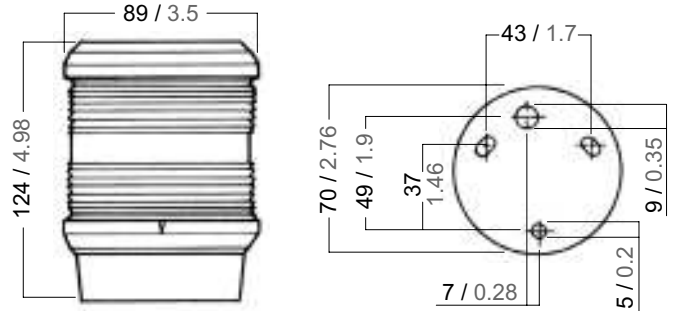
Bracket variants for Series 40, side-mount. Please go to page 51 to get the article numbers.
Series 40 can be replaced by LED Series 43.



Navigation Lights

Series 40

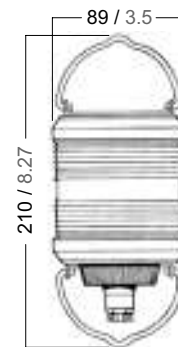
Deck-mount
All-round



Dimensions in: mm / inch

	Description	Vessel size	Wattage	Visibility	Mounting	Housing colour	Art. no. 12 V	Art. no. 24 V
360°	All-round white	< 50 m / < 164 ft.	10 W	2 nm	Deck-mount	Black White	3506032000 3506629000	3506033000 3506639000
360°	All-round red	< 50 m / < 164 ft.	25 W	2 nm	Deck-mount	Black	3506232000	3506233000
360°	All-round green	< 50 m / < 164 ft.	25 W	2 nm	Deck-mount	Black	3506132000	3506133000

Hoistable
All-round



Dimensions in: mm / inch

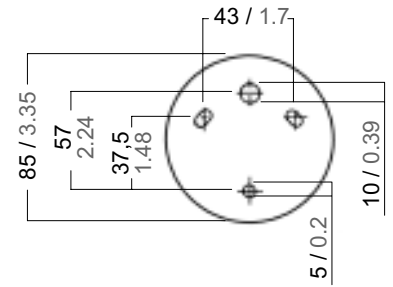
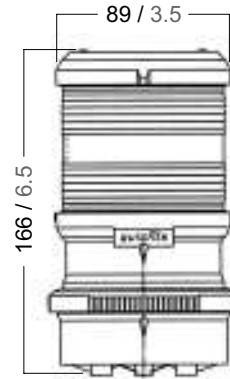
	Description	Vessel size	Wattage	Visibility	Mounting	Housing colour	Art. no. 12 V	Art. no. 24 V
360°	All-round white	< 50 m / < 164 ft.	10 W	2 nm	Hoistable	Black	3506002000	3506003000
360°	All-round red	< 50 m / < 164 ft.	25 W	2 nm	Hoistable	Black	3506202000	3506203000
360°	All-round green	< 50 m / < 164 ft.	25 W	2 nm	Hoistable	Black	3506102000	3506103000

Deck-mount

All-round white, quicfits



quicfits

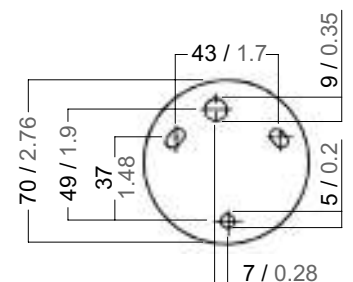
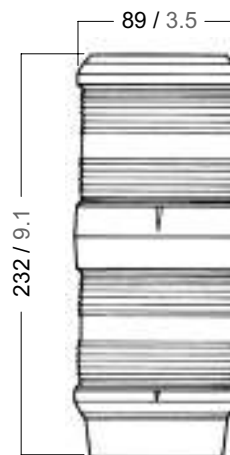


Dimensions in: mm / inch

	Description	Vessel size	Wattage	Visibility	Mounting	Housing colour	Art. no. 12 V	Art. no. 24 V
360°	All-round white, quicfits	< 50 m / < 164 ft.	10 W	2 nm	Deck-mount	Black	3506652000	3506653000

Deck-mount

Masthead / Anchor combination



Dimensions in: mm / inch

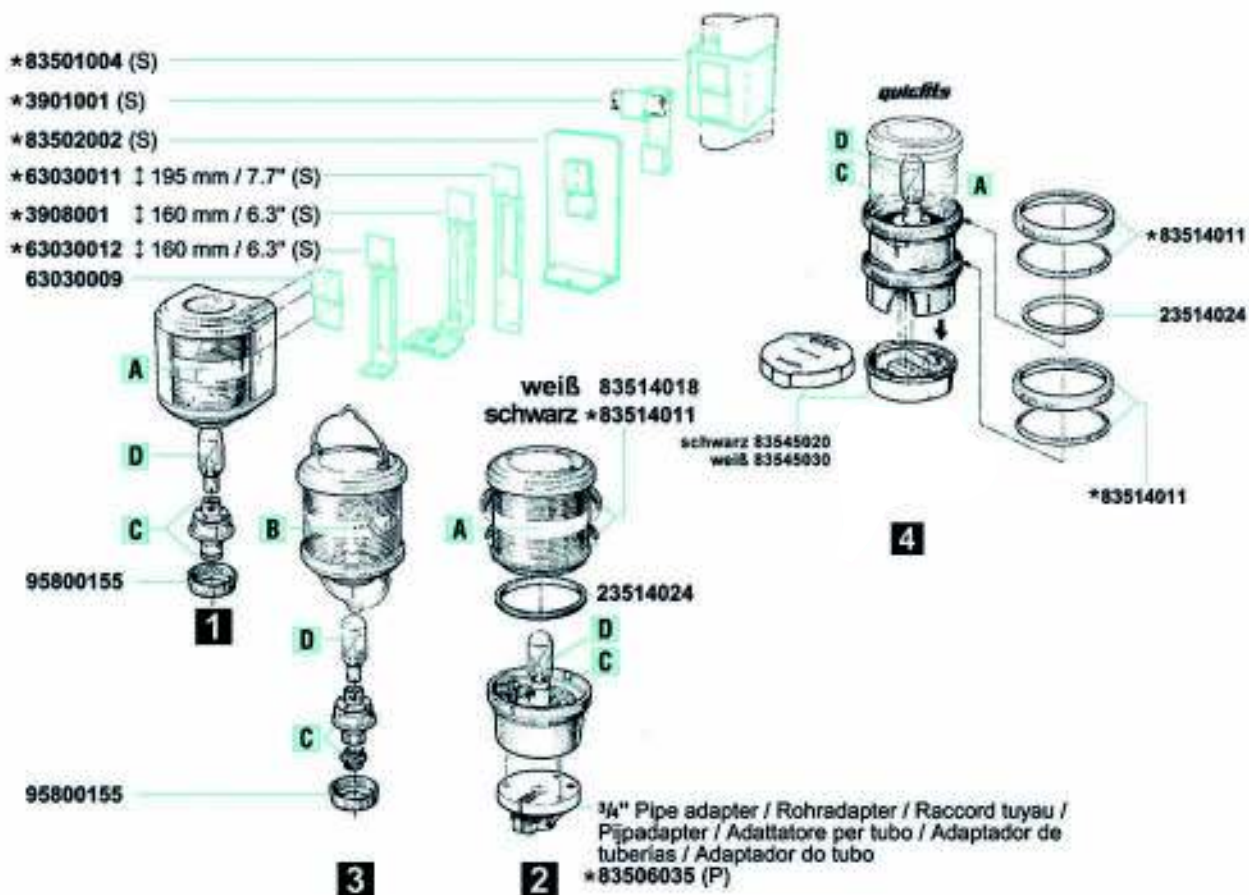
	Description	Vessel size	Wattage	Visibility	Mounting	Housing colour	Art. no. 12 V	Art. no. 24 V
225°	Masthead / Anchor combination	< 20 m / < 65 ft.	25 W	3 nm	Deck-mount	White	3514502000	3514503000
360°			10 W	2 nm				
			(Anchor)	(Anchor)				

Navigation Lights

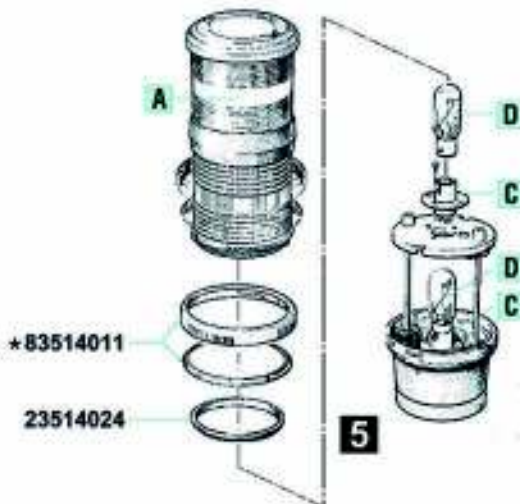


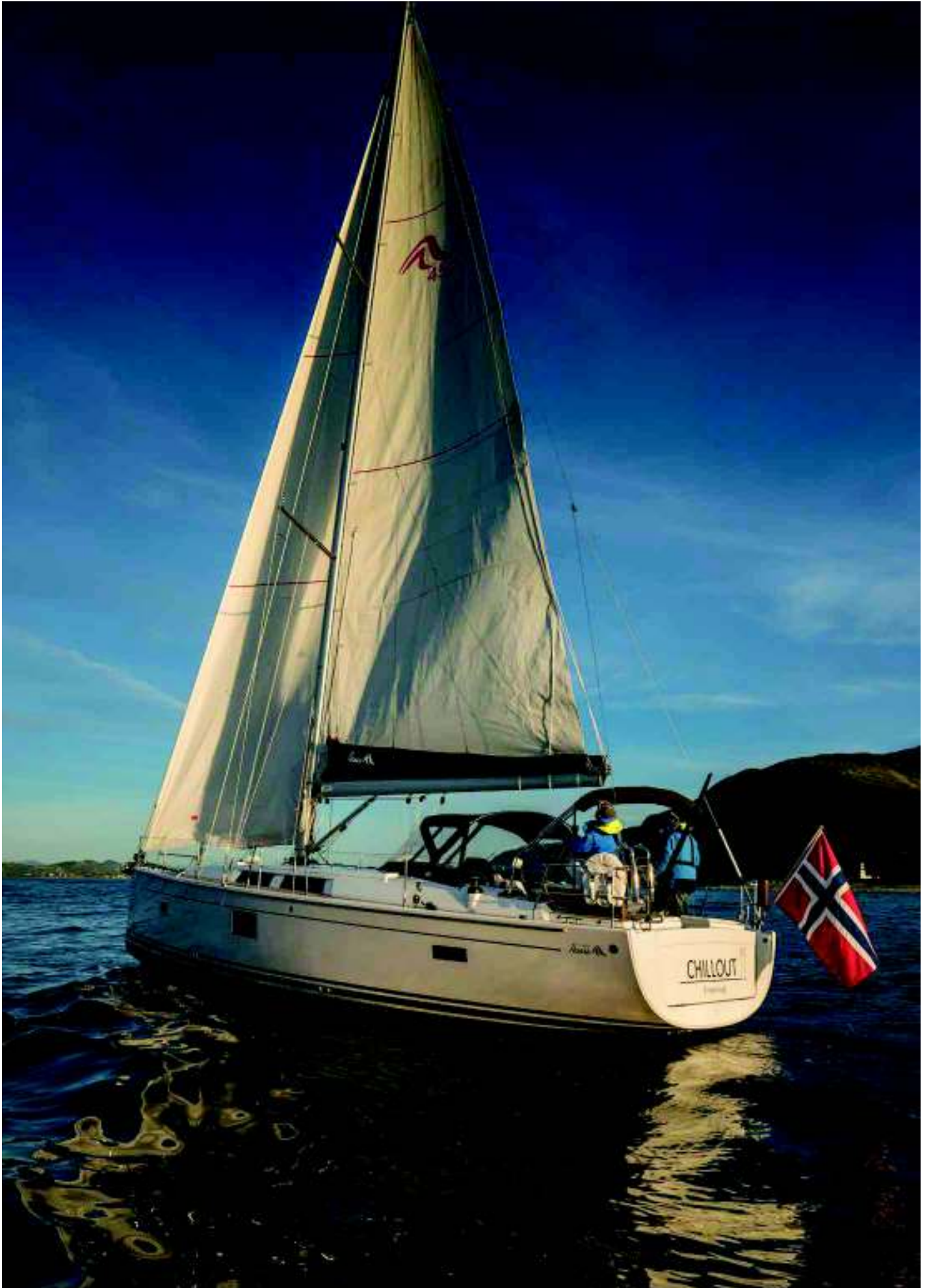
Series 40

Spare parts / Extras



	A	B	C	D
1	83505002	-	83501006	12V / 25W 90400002
	83504002	-		
	83503001	-		
	83501008	-		
	83502003	-		
2-4	83502004	-	2 90200127 3 83506001 4 90200127	24V / 25W 90400003 24V / 10W 90400006
	83507008	-		
	83506022	83506005		
	83506030	-		
	83506023	83506007		
5	83506024	83506009		
	83514020	-	90200127	





Navigation Lights

Series 40

Sailboat Navigation lights with aqua signal quickfits system and conventional mounting



Application

Application depending on required visibilities and vessel size. See table in chapter Information.

Housing

Black polycarbonate, impact and shock resistant, non-corrosive, non-magnetic, seawater resistant

Optics

Lens: fresnel, range of visibility 2 nm. Material: plastic, impact resistant and shock-proof, seawater resistant, replaceable

Protection degree

IP56

Mounting

With aqua signal quickfits system and conventional mounting. Quickfits system for easy dismounting for transport and winter storage.

Electric

Cable entry PG 9

Light source

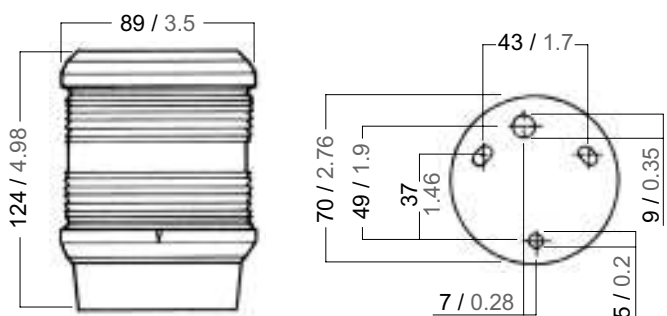
BAY 15d, 10 / 25 W included

Remark


Certification Applicability
Aqua Signal navigation lights are certified as a complete assembly including the original equipment bulb. Use only certified OEM replacement bulbs to maintain ongoing certification.

Deck-mount

Tricolor

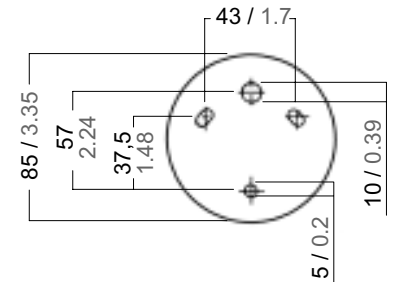
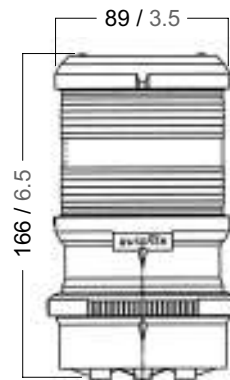


Dimensions in: mm / inch


Description	Vessel size	Wattage	Visibility	Mounting	Housing colour	Art. no. 12 V	Art. no. 24 V
 Tricolor	< 20 m / < 65 ft.	25 W	2 nm	Deck-mount	Black	3507632000	3507633000

Deck-mount
Tricolor, quicfits

quicfits

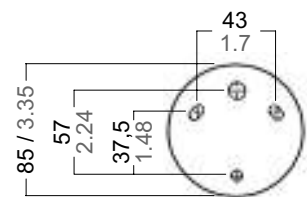
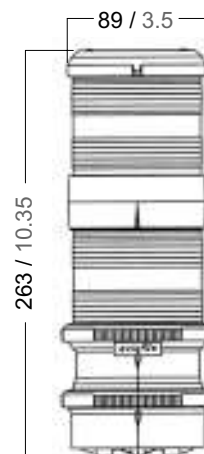


Dimensions in: mm / inch



Description	Vessel size	Wattage	Visibility	Mounting	Housing colour	Art. no. 12 V	Art. no. 24 V
 Tricolor, quicfits quicfits	< 20 m / < 65 ft.	25 W	2 nm	Deck-mount	Black	3507652000	3507653000

Deck-mount
Tricolor / Anchor, quicfits

quicfits



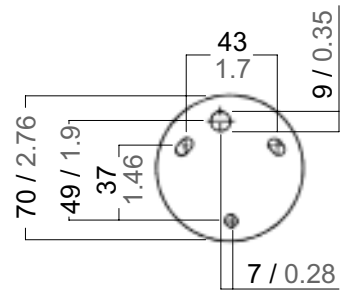
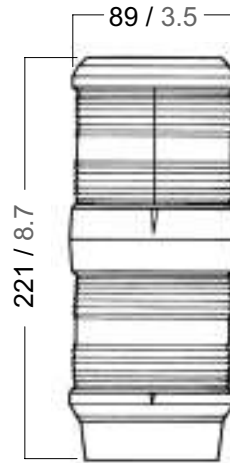
Dimensions in: mm / inch

Description	Vessel size	Wattage	Visibility	Mounting	Housing colour	Art. no. 12 V	Art. no. 24 V
  Tricolor / Anchor, quicfits quicfits	< 20 m / < 65 ft.	25 W (Tricolor), 10 W (Anchor)	2 nm	Deck-mount	Black	3514952000	3514953000


Navigation Lights

Series 40

Deck-mount
Tricolor / Anchor



Dimensions in: mm / inch

Description	Vessel size	Wattage	Visibility	Mounting	Housing colour	Art. no. 12 V	Art. no. 24 V
 Tricolor / Anchor	< 20 m / < 65 ft.	25 W (Tricolor), 10 W (Anchor)	2 nm	Deck-mount	Black	3514912000	3514913000



Spare parts / Extras

	12 V	24 V
A	25 W 90400002	90400003
	10 W 90400005	90400006
B	90200127	
C	⚡ Electronic 23545009	
D	⚡ Electronic 83546005 83546005	

