



tbs electronics

Professional DC to AC sinewave inverter

powersine PS2000-12

powersine PS2500-24

powersine PS3000-12

powersine PS3500-24

powersine PS3500-48



Owner's manual

Thank you for purchasing a TBS Electronics DC to AC sinewave inverter.

Please read this owner's manual for information about using the product correctly and safely. Keep this owner's manual close to the inverter for future reference.

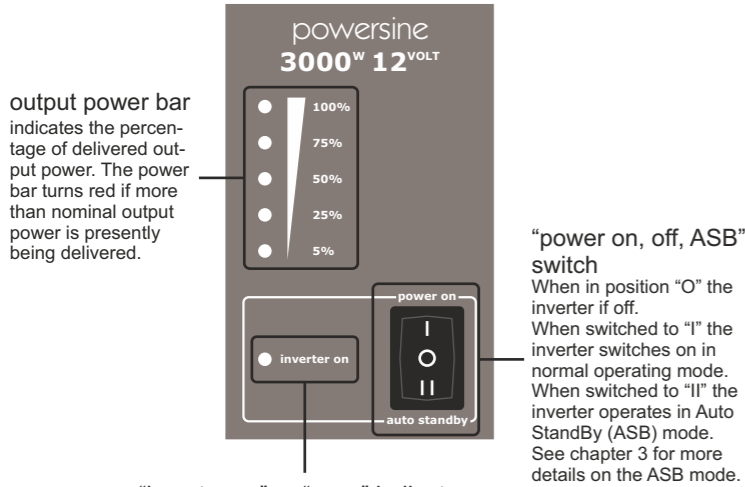
TBS ELECTRONICS BV

De Marowijne 3, 1689AR, Zwaag, The Netherlands

<http://www.tbs-electronics.com>

Before proceeding with this owner's manual, please make sure you have carefully read the installation guide on the backside of this paper!

1. Powersine display and control overview



indicator mode :	description :
continuous green	power on, normal operation
flashing green	power on, ASB activated
flashing red (1 flash per sec.)	DC error (see note 1)
flashing red (2 flashes per sec.)	output overload or short circuit
flashing red (3 flashes per sec.)	high temperature error

note 1 : DC errors are too low or too high battery voltage and too high input ripple voltage. A ripple voltage error can be caused by a too small battery, too long battery cables, bad DC connections or too small battery cable wire gauge.

note 2 : Operating in DC error mode, the inverter restarts automatically when the battery voltage returns to the normal inverter input voltage range again. If the DC error is caused by an input ripple voltage error, the inverter needs to be restarted manually. Operating in output overload or short circuit error, the inverter automatically restarts after 20 seconds. Operating in high temperature error, the inverter restarts automatically when the inverter temperature has reached a normal temperature level again. All error types are allowed maximal four times in a row within a certain time period. When more than four errors are counted within this time period, the inverter remains operating in an error mode and needs to be restarted manually.

2. Inverter load requirements

Before you connect your appliance(s) to the inverter, always check it's maximum power consumption. Do not connect appliances to the inverter needing more than the nominal power rating of the inverter continuously. Some appliances like motors or pumps, draw large inrush currents in a startup situation. In these conditions, it is possible that the startup current exceeds the overcurrent trip level of the inverter. In this case the output voltage will shortly decrease to limit the output current of the inverter. If this overcurrent trip level is continuously exceeded, the inverter will shut down and restart within 20 seconds. In this case it is advisable to disconnect this appliance from the inverter, since it requires too much power to be driven by this inverter. The inverter will not restart automatically when it has shut down due to overloads for four times in a row. In this case, the inverter needs to be restarted manually. Note that at higher ambient temperature levels, the overload capacity of the inverter reduces.

3. Automatic standby (ASB) mode

When the inverter is not supplying power to an appliance for a longer time, it is recommended to use the inverter in the "Auto Standby" (ASB) mode to heavily reduce the inverter's own power consumption. In this case the power switch must be pushed in the "II" position. In the ASB mode the inverter will generate a testpulse on it's output once per second, to check if there is a load applied. When a load is connected to the inverter output (or switched on) drawing more than approx. 20W, the inverter jumps to the continuous mode immediately, delivering power to the load. When the load is disconnected again (or switched off), after 4 seconds the inverter jumps back to the pulsed output ASB mode. This way the inverter automatically jumps to a low power mode when there is no power demand on the output.

Note that some loads like TV/video equipment (with standby mode) and alarm clocks need continuous power so that the ASB mode can not be used. With some small non compensated loads, it is possible that the inverter jumps from continuous output to pulsed output and vice versa all the time. In this case you will have to connect a small additional load to the AC output.

4. Acoustical alarms

To warn you before the inverter might shut down, the inverter is equipped with an acoustical alarm. There are three kinds of acoustical alarms depending on the cause of possible inverter shutdown. These alarms are related to the red LED blinking sequences mentioned in chapter 1. The following acoustical alarms are available :

Alarm 1 : **One beep per second.** The battery voltage has reached a too low or too high level. If the battery voltage respectively decreases or increases any further, the inverter shuts down.

Alarm 2 : **Two beeps per second.** The inverter will shut down soon due to an overloaded output. Note that at heavy overloads the alarm will not sound due to too fast inverter shut down.

Alarm 3 : **Three beeps per second.** The inverter will shut down when it's temperature is rising another three degrees Celsius.

5. Alarm relay

This inverter is equipped with a potential free alarm relay. This relay will be activated when the inverter shuts down and jumps to an error mode as described in chapter 1. The alarm relay de-activates again when the error mode has been cleared and the inverter is running in normal operating mode again. Both normally closed and normally open contacts of the alarm relay are available. The maximum relay contact ratings are 30Vdc/16A or 230Vac/16A.

6. Trigger input

The trigger input offers a way of externally controlling the behaviour of the inverter. The trigger input can be connected to an external switch or a potential free relay contact. By closing this external switch or contact, a user programmable 'action' will be performed. Such an action could for example be, to control an external fan when the output power has exceeded a certain level. All this can be configured in a future version of the TBS Dashboard for Windows software. This inverter is equipped with two trigger inputs.

7. Troubleshooting guideline

Problem	Possible cause	Remedy
Inverter is not working (all indicators are off).	Power switch in OFF (0) position.	Push the power switch in the ON (I) or ASB (II) position.
	Poor contact between the inverter's battery wires and the battery terminals.	Clean battery terminals or inverter wire contacts. Tighten battery terminal screws.
	Blown battery fuse.	Check and replace the battery fuse.
	Very poor battery condition.	Replace battery.
'Battery voltage too low or too high' error keeps on appearing.	Poor battery condition.	Replace battery or charge it first.
	Poor connection or inadequate wiring between battery and inverter, resulting in too much voltage drop.	Check battery wire connections. Decrease battery cable length. Increase battery and/or cable size.

General failure in your electrical system (in case of no direct battery connection).	Check your electrical system or consult an electrical engineer to check it for you.
Too high ripple voltage on DC input.	Check battery wire connections. Decrease battery wire length. Increase battery size. Make sure that no other equipment on the same battery is generating a high ripple voltage.
'Output overload or short circuit' error keeps on appearing.	Inverter is overloaded. Make sure that the total power rating of the connected equipment is lower than the nominal inverter power rating.
Connected equipment causes a short circuit at the inverter's output.	Make sure that the connected equipment is not broken or malfunctioning. Check if the AC power cord between the inverter and the connected equipment is ok. Any physical damage on the power cord can produce a short circuit.
Connected equipment causes a too large inrush current.	Try to power-up connected equipment successively, and not simultaneously. Otherwise stop using the connected load, it's not suitable to power it with this inverter.
'High temperature error' keeps on appearing.	Airflow around the inverter is obstructed. Make sure there is at least 10 centimeters of clearance around the inverter. Remove any items placed on or over the inverter. Keep the inverter away from direct sunlight or heat producing equipment.
	Too high ambient temperature. Move the inverter to a cooler environment or provide additional cooling by an external fan.

Note : Do not turn off the inverter when it's operating in an 'High temperature error'. The inverter needs this error time to cool down.

8. Warranty conditions

TBS Electronics (TBS) warrants this inverter to be free from defects in workmanship or materials for 24 months from the date of purchase. During this period TBS will repair the defective inverter free of charge. TBS is not responsible for any costs of the transport of this inverter.

This warranty is void if the inverter has suffered any physical damage or alteration, either internally or externally, and does not cover damage arising from improper use¹⁾, attempting to operate the inverter with excessive power consumption requirements, or from use in an unsuitable environment.

This warranty will not apply where the product has been misused, neglected, improperly installed or repaired by anyone other than TBS. TBS is not responsible for any loss, damage or costs arising from improper use, use in an unsuitable environment, improper installing of the inverter and inverter malfunctioning. The sole and exclusive liability to TBS, regardless of the form of action, shall not exceed the purchase price of the product described here in.

Since TBS cannot control the use and installation (according to local regulations) of their products, the customer is always responsible for the actual use of these products. TBS products are not designed for use as critical components in life support devices or systems, that can potentially harm humans and/or the environment. The customer is always responsible when implementing TBS products in such applications. TBS does not accept any responsibility for any violation of patents or other rights of third parties, resulting from the use of the TBS product. TBS keeps the right to change product specifications without previous notice. TBS makes no warranty as to the accuracy, sufficiency or suitability of any technical or other information provided in its manuals or other documentation.

¹⁾ Examples of improper use are :
 - Too high input voltage applied
 - Reverse connection of battery polarity
 - Mechanical stressed enclosure or internals due to harsh handling and/or incorrect packaging
 - Backfeed via inverter output from external power source like public grid or generator
 - Contact with any liquids or oxidation caused by condensation

9. Technical specifications

Parameter	PS2000-12	PS2500-24	PS3000-12	PS3500-24	PS3500-48	
Output power ¹⁾	Pnom	1800W	2000W	2600W	2800W	2800W
	P10min	2100W	2500W	3200W	3800W	3800W
	Psurge	4000W	5500W	5000W	6500W	6500W
Output voltage	230VAC±2% (True sinewave)					
Output frequency	50Hz±0.05% or 60Hz±0.05%					
Admissible cosφ of load	All loads are accepted					
Input voltage (±3%)	Nom.	12V	24V	12V	24V	48V
	Range	10.0 ²⁾ - 16V	20 ²⁾ - 32V	10.0 ²⁾ - 16V	20 ²⁾ - 32V	40 ²⁾ - 64V
Maximum efficiency	92%	93%	92%	93%	93%	
Noload power consumption ³⁾	< 19W	< 20W	< 19W	< 20W	< 21W	
[ASB]	[2.0W]	[2.0W]	[2.0W]	[2.0W]	[2.4W]	
Operating temperature range	-20°C to +50°C (storage -40°C to +80°C), RH<95%					
ASB Threshold	Pout = 20W					
Protections against	Short circuit, overload, high temperature, high/low battery voltage and high input ripple voltage					
DC input connection	M10 bolt terminals					
AC output connection	Screw terminals					
Enclosure size (L x W x H)	370 x 431 x 132mm					
Total weight	18.5kg					
Protection class	IP21 (mounted in upright position)					
The inverter complies with the following standards	CE marked meeting EMC directive 2004/108/EC and LVD 2006/95/EC, complying with EN60335-1, RoHS 2002/95/EC					

Note: the given specifications are subject to change without notice.

¹⁾ Measured with resistive load at 25°C ambient. Power ratings are subject to a tolerance of 10% and are decreasing as temperature rises with a rate of approx. 1.2%/°C starting from 25°C.
²⁾ Undervoltage limit is dynamic. This limit decreases with increasing load to compensate the voltage drop across cables and connections.
³⁾ Measured at nominal input voltage and 25°C.

10. Declaration of conformity

MANUFACTURER : TBS Electronics BV

ADDRESS : De Marowijne 3
1689 AR Zwaag
The Netherlands



Declares that the following products :

PRODUCT TYPE : DC to AC Sinewave inverter
 MODELS : PS2000-12, PS2500-24, PS3000-12, PS3500-24 and PS3500-48

Conforms to the requirements of the following Directives of the European Union :
EMC Directive 2004/108/EC
RoHS Directive 2002/95/EC

The above product is in conformity with the following harmonized standards :
EN61000-6-3: 2001 EMC - Generic Emissions Standard
EN61000-6-2: 2005 EMC - Generic Immunity Standard

EN INSTALLATION GUIDE

- Please read this document very carefully to avoid inverter malfunction, shock and/or fire hazards!
- This document provides a brief overview of a stand alone inverter installation. For long term safe and troublefree operation, it is very important to read the owner's manual on the rear side of this paper as well!
- Please follow the exact installation sequence as given below. Skipping one or more steps could result in inverter malfunctioning or shock and/or fire hazards!

1 UNPACKING

The inverter package should contain the following items :

- Inverter
- Wall bracket
- This Installation guide / Owner's manual
- WEEE flyer
- 2x M10 crimp terminals.
- 7x Mounting screws.

CAUTION After unpacking, check if the product shows any mechanical damage. Never use the product when the enclosure shows any visual damage caused by harsh handling, or when it has been dropped accidentally. Contact your local supplier for further information.

2a LOCATION REQUIREMENTS

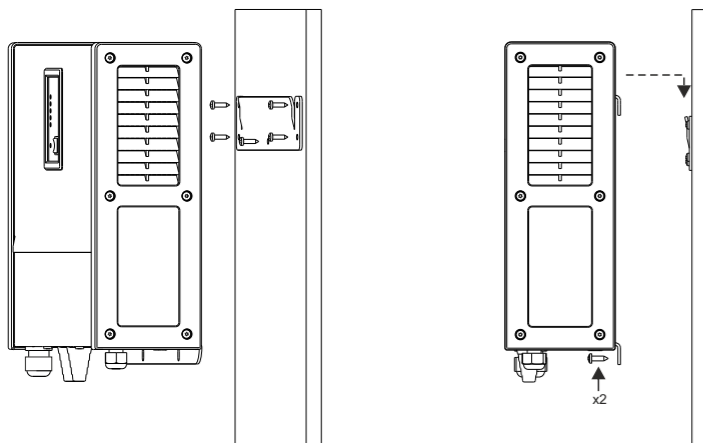
Prior to inverter mounting, please make sure that the mounting location meets the following requirements :

- Install the inverter in a well ventilated room.
- Avoid any contact with water or other liquids on the inverter. Do not expose the inverter to rain or moisture.
- Do not place the unit in direct sunlight or other high temperature environments. Ambient air temperature should be between 0°C and 40°C (humidity < 95% non condensing). Note that in some extreme situations the inverter's case temperature can exceed 70°C.
- Do not obstruct the airflow around the inverter. Leave at least 10 centimeters clearance around the inverter. Do not place items on or over the inverter while it's operating. When the inverter is running too hot, it will shut down until a safe temperature level is reached to restart the inverter.
- Never use the inverter at locations where there is gas or explosion danger.
- Do not expose the inverter to dusty environments.
- Do not install the inverter directly above the batteries. Battery gasses can cause explosions and have corrosive properties which may cause damage to the inverter.

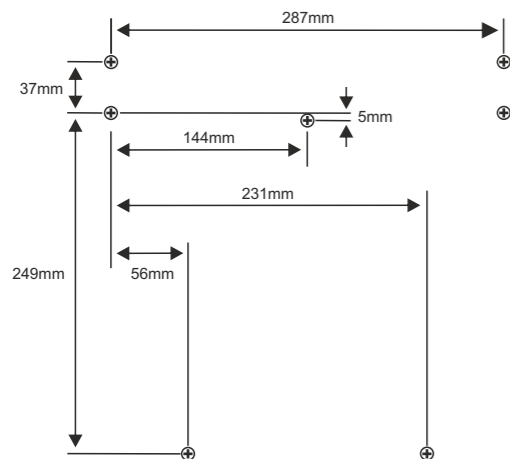
2b BATTERY PRECAUTIONS

- Working in vicinity of a lead acid battery is dangerous. Batteries can generate explosive gases during operation. Never smoke or allow a spark or flame in vicinity of a battery. Provide sufficient ventilation around the battery.
- Wear eye and clothing protection. Avoid touching eyes while working near batteries. Wash your hands when done.
- If battery acid contacts skin or clothing, wash immediately with soap and water. If acid enters eye, immediately flood eye with running cold water for at least 15 minutes and get medical attention immediately.
- Be careful when using metal tools in vicinity of batteries. Dropping a metal tool onto a battery might cause a shorted battery and an explosion.
- Remove personal metal items such as rings, bracelets, necklaces, and watches when working with a battery. A battery can produce a short circuit current high enough to weld a ring or the like to metal, causing severe burns.

3 MOUNTING



Keep a clear space of at least 10 cm around this product for cooling purposes!



drilling template

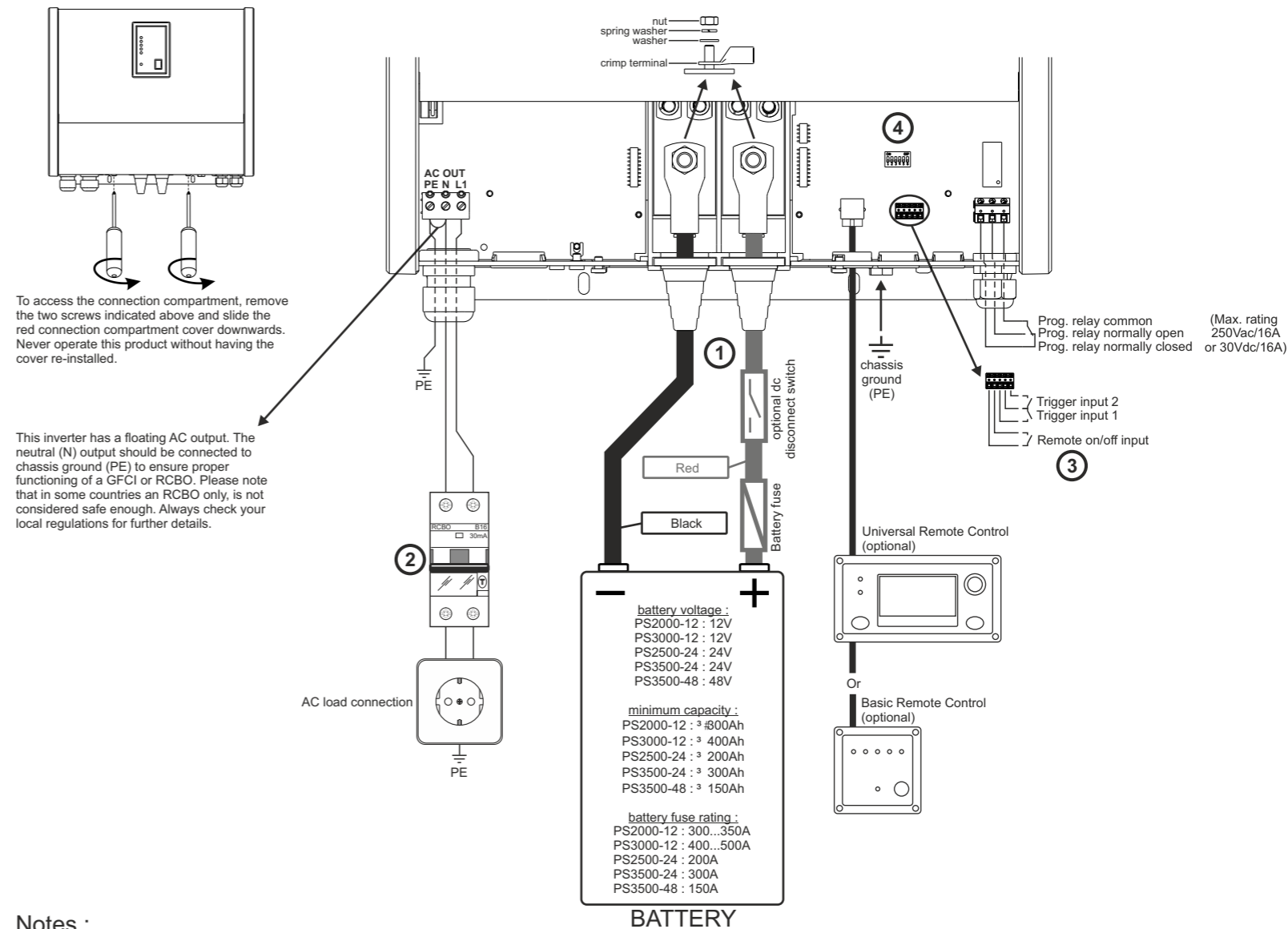
4 WIRING PRECAUTIONS



Before making any electrical connections to your inverter, carefully read all safety instructions below!

- Make sure that your complete inverter installation including all AC and DC connections, are in accordance to all locally applicable regulations.
- Operation of your inverter without proper grounding may lead to hazardous situations. Use the inverter chassis ground terminal between the fans, to connect to your central ground (vehicle chassis, grounding system of your boat etc.).
- This inverter has a floating AC output. The neutral (N) output should be connected to chassis ground (PE) to ensure proper functioning of a GFCI (Ground Fault Circuit Interrupter) or RCBO. Please check your local regulations for further details.
- Never remove the connection compartment panel when the battery is still connected to your inverter. Before removing the panel for service, always disconnect the battery and activate the inverter (power switch in position I) for at least 10 seconds to discharge all internal capacitors. This procedure should also be followed prior to transporting your inverter.
- To avoid inverter damage, always check if your battery voltage corresponds to the input voltage range of your inverter.
- Always install a DC fuse inline with the battery positive (+) cable, as near as possible to the battery.
- Make sure to connect the battery to the inverter using the correct polarity. The red DC cable must be connected to the positive (+) terminal, and the black DC cable to the negative (-) terminal of the battery. Exchanging these cables will damage the inverter permanently. This damage is not covered by the warranty.
- Never connect the inverter's AC output to an external AC source. This may damage the inverter.

5 WIRING DETAILS



Notes :

- 1 Please consult the following table to determine the correct battery cable size for each model. The given cable sizes are valid for cables installed in free air. Using a smaller cable size or a longer cable may cause the inverter to shutdown under heavy load. Fire and burning hazards are present if the battery cables are insufficiently sized for the expected current. Battery cable lengths longer than 3 meters, are not recommended.
- 2 An earth leakage circuit breaker with overcurrent protection (RCBO) rated to support the expected load, must be included in series with the AC output. The AC output wiring must be sized accordingly (min. 2.5mm²).
- 3 The required contact specifications for the trigger switches are 5V/5mA. The required contact specifications for the remote switch are 60V/10mA. The maximum wire length between the switch and the Powersine is 30m. The remote switch will only operate when the main on/off switch is either in position I or II.
- 4 Please consult the table below for more information about the DIP switch settings

DIP switch number	Setting description	DIP switch number	Setting description
Factory setting = OFF	Local / External Programming ON : DIP switches 2 to 5 are ignored and the Powersine will always load the parameter settings as configured in TBS Dashboard.	Factory setting = OFF	Ground relay (only if equipped with automatic transfer switch and ground relay) ON : Ground relay will be activated in inverter mode (Neutral is connected to PE/Ground).
	OFF : The local DIP switch settings are used. All other parameters are set to the factory default settings.		OFF : Ground relay will never be activated (Neutral is not connected to PE/Ground, AC output is floating).
Factory setting = OFF	Inverter output frequency ON : Output frequency is 60Hz (factory default for 115V outputs).	Factory setting = OFF	Reserved for future functionality
	OFF : Output frequency is 50Hz (factory default for 230V outputs).		
Factory setting = ON	Low battery protect ON : Low battery protect is on (inverter shuts down below around 10.0V for the 12V, 20.0V for the 24V and 40.0V for the 48V version). OFF : Low battery protect is off (immediate inverter shutdown when battery voltage is below 8.0V for 12V, 16.0V for 24V and 32.0V for 48V version).	Factory setting = ON	Bypass remote switch ON : Remote switch connection terminals are bypassed. OFF : Remote switch connection terminals are open. A remote switch must be connected and switched on to activate the inverter.