



Generator-Type Senders

Technical Data

Electrical connection:

2-pole or 3-pole, Insulated Return

Driving torque:

500 pcm max.

Rotational speed:

3000 min⁻¹ max.

No-load voltage:

19.3 V at 2000 min⁻¹

Voltage tolerance:

±1 % at nominal value at +20° C

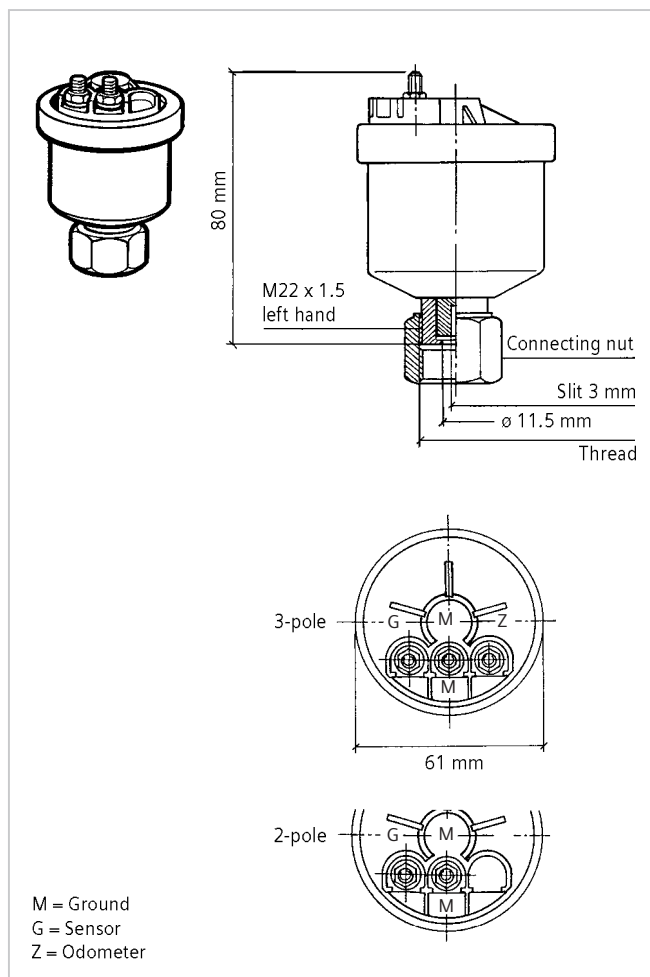
Operating temperature:

-25° C to +90° C



Protection:

IP54 acc. to DIN 40050

Dimensions





Article No.	Operation V	Max. min ¹		
340-807-001-001C	19.3/2000 min ¹	3000	M22 x 1.5	Screw – 3-pole
340-807-001-003C	19.3/2000 min ¹	3000	7/8 – 18 NS-2B	Screw – 2-pole
340-808-001-001C	19.3/2000 min ¹	3000	7/8 – 18 UNS	Screw – 2-pole
340-808-001-002C	19.3/2000 min ¹	3000	M22 x 1.5	Screw – 2-pole
340-808-001-002G	19.3/2000 min ¹	3000	M22 x 1.5	Screw – 2-pole
340-808-001-004G	19.3/2000 min ¹	3000	7/8 – 18 NS-2A, left hand	Screw – 2-pole