

## VERATRON GO GPS RECEIVER



### GENERAL DESCRIPTION

All your boat's data close to your fingertips.

Veratron GO is a plug-and-play device which features an integrated GPS / GLONASS / GALILEO receiver.

Compact and easy to install, it does not require any additional protection against harsh weather conditions.

### KEY FEATURES

- GPS, GLONASS and GALILEO constellations
- SBAS – WAAS/EGNOS/MSAS/GAGAN compatible
- 72 channels reception
- 10Hz update rate
- Very high sensitivity
- Fast cold-start position fix
- Robust against electrical noise
- CAN output
- Small installation footprint
- Compatible with OceanLink 52mm bezels



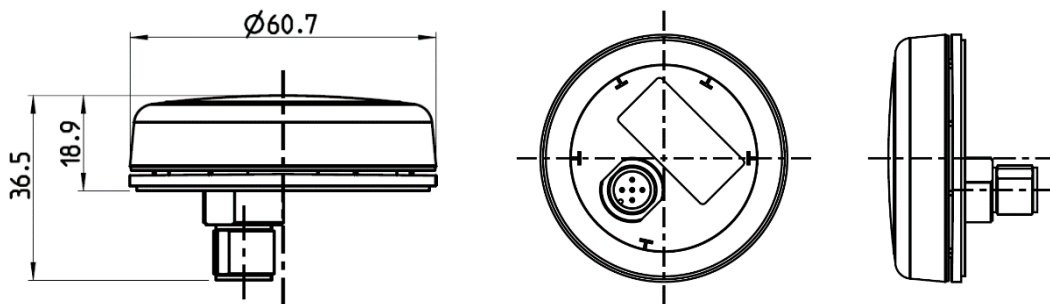
### PART NUMBERS

PART NO.	VARIANT
B00034901	Veratron GO GPS receiver

## TECHNICAL DATA

<b>Housing</b>	Acrylonitrile Styrene Acrylate (ASA), white color
<b>Connector</b>	Micro-C M12, 5 pins
<b>IP Protection Class</b>	IPX7 according to IEC60529
<b>Supply Voltage</b>	12 VDC powered from NMEA 2000 backbone
<b>Time-To-First-Fix (TTFF)</b>	Cold Start – 30 sec
<b>Position accuracy</b>	2.5 m with good sky view

## DIMENSIONS



## CAN DATA

PGN	DESCRIPTION
126992	System Time
129025	Position, Rapid Update
129026	COG & SOG, Rapid Update
129029	GNSS Position Data
129539	GNSS DOPs
129540	GNSS Satellites in View

## ACCESSORIES / SPARE PARTS

	PART NO.
Bezel white	A2C1352110001
Bezel black	A2C1141440001
Bezel chrome	A2C5336487001

Veratron AG  
 Industriestrasse 18  
 9464 Rütli, Switzerland

T +41 71 7679 111  
 info@veratron.com  
 www.veratron.com

Rev.A