

veratron 



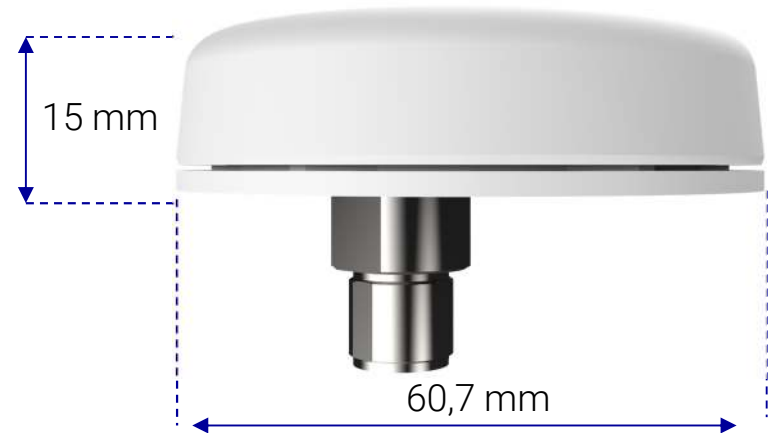
Veratron GO

GPS & Bluetooth NMEA 2000 Certified

Marine specialists since 1958



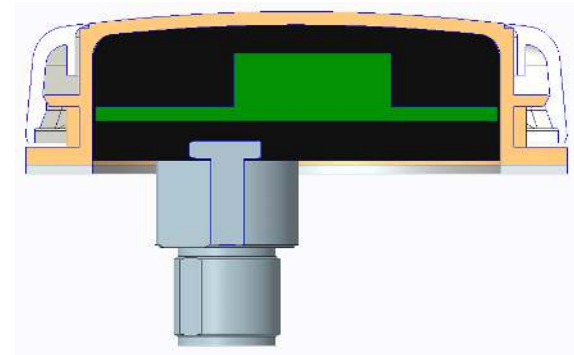
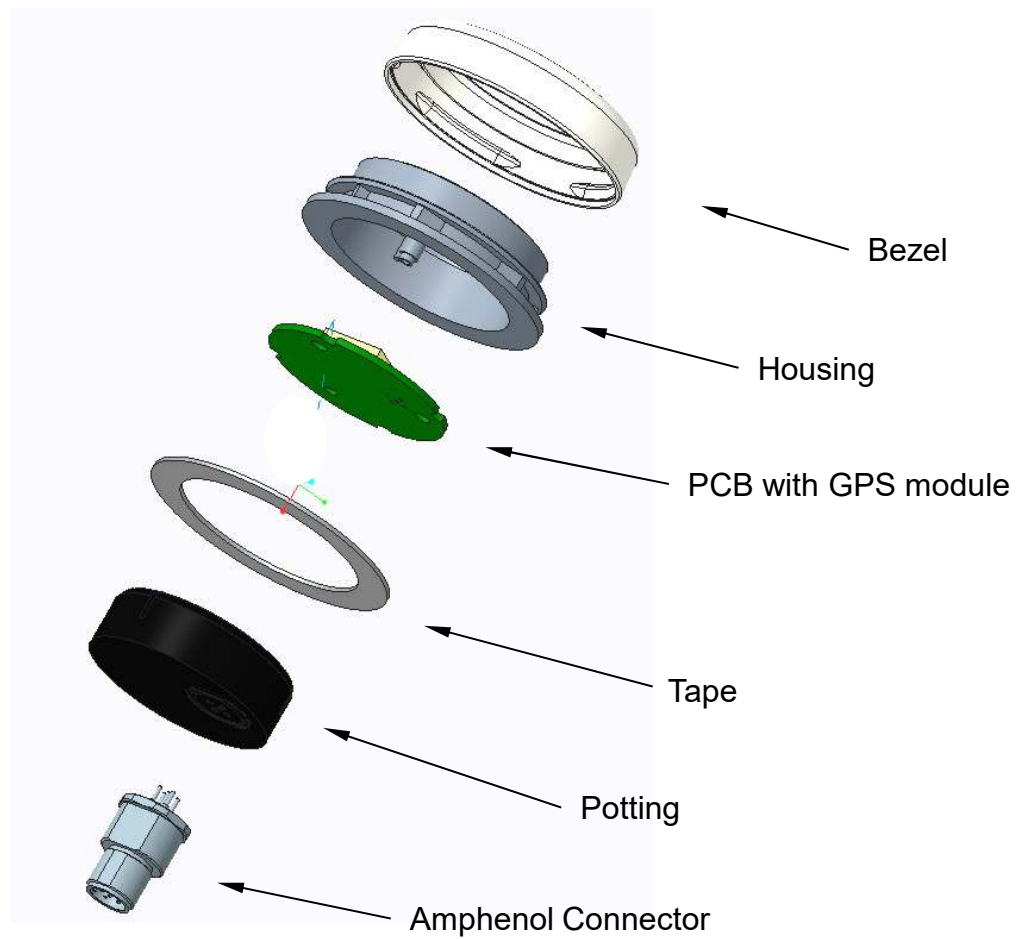
Styling & dimension



Confidential



Axonometric exploded view



Confidential

veratron 

Concept

- Exchangeable bezel.
- Fixation double adhesive tape
- NMEA 2000 Male (M12 5 pin)
- 12V only (NMEA 2000 powered)
- Plug & Play installation (no calibrations needed)
- Bluetooth 5.1 connectivity for NMEA remote diagnostic optional

Specifications

- IPX9K front and rear
- GPS / GLONASS with SBAS support (WAAS, EGNOS, MSAS, GAGAN)
- NMEA 2000 supported PGNs:

PGN	PGN Name	Default Rate
126992	System Time	1 Time/Second
129025	Position, Rapid Update	5 Time/Second
129026	COG and SOG, Rapid Update	4 Time/Second
129029	GNSS Position Data	1 Time/Second
129539	GNSS Position Data	1 Time/Second
129540	GNSS Satellites in View	1 Time/Second
127258	Magnetic Variation	1 Time/Second

Confidential



Version

Model	Name	Part Number
GPS	OLW_GPS_12V_52_XXXX_RW_A	B000349
GPS + Bluetooth™	TBD	TBD
Bluetooth™	TBD	TBD

We consider ourselves your partners.



Thank you for your attention