

ENGLISH



# VALAN

## MOTORIZED LED SEARCHLIGHT

### INSTRUCTION GUIDE





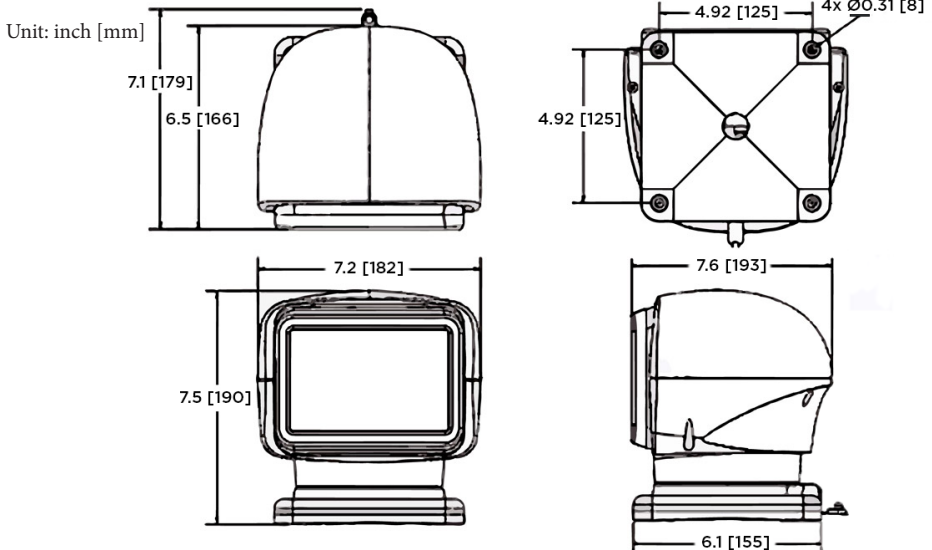
# VALAN

## MOTORIZED LED SEARCHLIGHT

### FEATURES:

- Led Lighting
- Programmable handheld wireless remote controller
- Wired remote controller
- UV ray and Saltwater resistant
- Robust searchlight made of black ASA, aluminium and lens in PC
- Power supply: 12 or 24VDC
- Low consumption: 36W
- Beam span at 1000m (3280ft)
- Luminous intensity: 460.000 Cd
- Long lifespan
- Vibrations resistant
- Horizontal rotation: continuous 360°/135° Tilt
- Vertical sweep: +65° à -65°
- Temperatures: -30°C (-22°F) + 70°C (+158°F)
- Weight : 2.4kg (5.3lb)
- Dimensions : 182 x 193 x H 190mm (7.16 x 7.6 x 7.5in)
- Certification : EN60945 (does not disturb AIS & VHF)

**Important Notice:** If VALAN DC power is cut off (wires disconnected from battery or power supply switched off), after reconnected, make sure to turn on the searchlight, using wireless or wired remote to make a full 360° rotation, in order to reset the home position memory.




## OPERATION:

Handheld wireless remote



Wired remote



1. Operation  
Press on/off button to switch on or off VALAN.  
Operate directions of the light beam by pressing the directions buttons.  
Up= ▲ Down= ▼ Right= ► Left= ◀
2. Button  : Dual speed (Fast/Slow speed switch)

## HANDHELD WIRELESS REMOTE PROGRAMMING PROCESS

1. Switch off DC Power or disconnect from battery.
2. Make sure there is NO other transmitter operating at the same time.
3. Switch on DC Power, within 5 seconds press remote up ▲ and down ▼ button once simultaneously.
4. VALAN will flash to acknowledge the remote, connection has been made.
5. To program the second remote (up to 4 remotes may be used with the VALAN, programming a fifth will replace the first), within five seconds after the first remote programmed, press the second remote up and down button or repeat step 1.

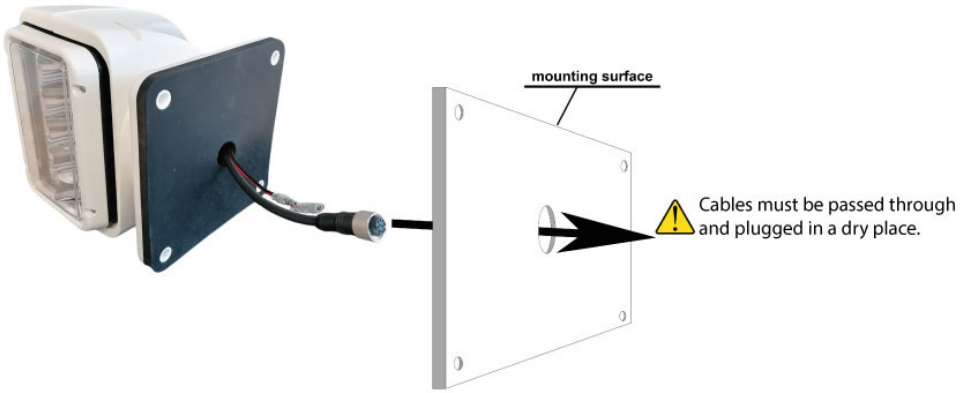


RADIO FREQUENCY: 433.92 MHz

Wireless remote battery 23A x 2pcs

Wireless remote operation distance: 65M

# CONNECTION



# WIRED REMOTE CONTROL

Wired remote control supplied with a 5 meters cable.  
An additional 5 m cable can be ordered as an option.

