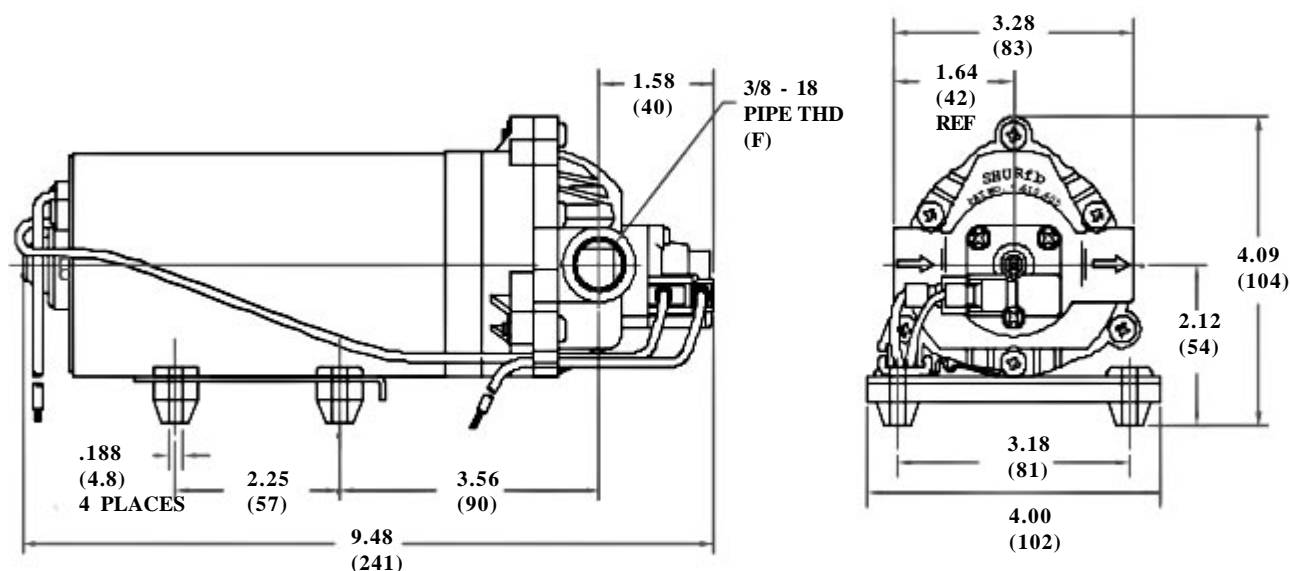
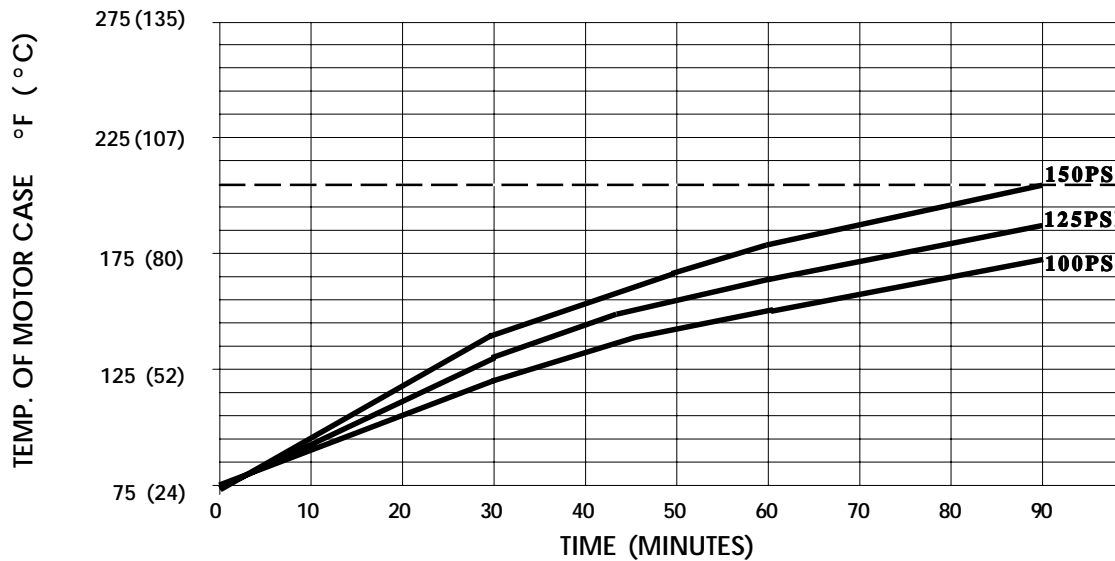


**SPECIFICATIONS:****MODEL NUMBER:** 8030-813-239**PUMP DESIGN:** Positive Displacement 3 Chamber Diaphragm Pump**CHECK VALVE:** (2-Way Op.) Prevents Reverse Flow & 6 Ft. Head Forward Flow**CAM:** 3.0 Degree**MOTOR:** Permanent Magnet, P/N 11-227-00, Thermally Protected**VOLTAGE:** 12 VDC Nominal**PRESSURE SWITCH:** Adjustable Shut-Off (Range 140-160 PSI)

Factory Set @ 150 PSI, Turn On 115 PSI

**LIQUID TEMPERATURE:** 180 Degrees Fahrenheit (82 Degrees Centigrade) Max.**PRIME:** Self-Priming Up To 6 Ft. Vertical,  
Max. Inlet Pressure 30 PSI (2.1 Bar)**PORTS:** 3/8"-18 NPT Female**MATERIAL OF CONSTRUCTION:****PLASTICS-** Nylon**VALVES-** Viton**DIAPHRAGM-** Santoprene**FASTENERS-** Zinc Plated Steel**NET WEIGHT:** 5.9 Lbs (2.7 Kg)**DUTY CYCLE:** Intermittent (See Temperature Rise Chart)**TYPICAL APPLICATIONS:** Agricultural Spraying**DIMENSIONS:**

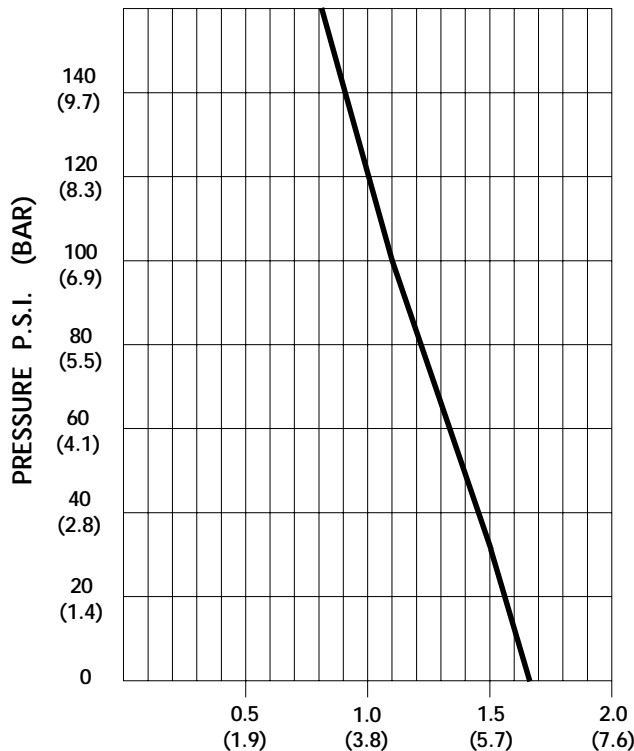
**TEMPERATURE RISE**



THIS GRAPH IS FOR USE AS A DESIGN GUIDE. IT IS BASED ON RUNNING CONTINUOUSLY WITH AN AMBIENT TEMPERATURE OF 75° F IN STILL AIR. THE THERMAL BREAKER WILL OPEN WHEN THE CASE TEMPERATURE REACHES 205 °F.

[----- TRIP POINT OF THERMAL PROTECTOR]

**TYPICAL PERFORMANCE**



PRESSURE (PSI)	FLOW (GPM/LIT)	RPM MIN/MAX	CURRENT (AMPS)	VOLTAGE (VOLTS)
OPEN	<b>1.66/6.3</b>	<b>2265/2310</b>	<b>4.5</b>	<b>12 VDC</b>
10	<b>1.62/6.1</b>	<b>2245/2275</b>	<b>4.9</b>	"
20	<b>1.55/5.9</b>	<b>2215/2230</b>	<b>5.5</b>	"
30	<b>1.49/5.6</b>	<b>2180/2200</b>	<b>6.2</b>	"
40	<b>1.43/5.4</b>	<b>2145/2160</b>	<b>6.8</b>	"
50	<b>1.37/5.2</b>	<b>2115/2130</b>	<b>7.4</b>	"
60	<b>1.31/5.0</b>	<b>2080/2095</b>	<b>8.0</b>	"
80	<b>1.20/4.5</b>	<b>2010/2040</b>	<b>9.1</b>	"
100	<b>1.10/4.2</b>	<b>1955/1980</b>	<b>10.1</b>	"
120	<b>1.00/3.8</b>	<b>1895/1930</b>	<b>10.9</b>	"
140	<b>0.88/3.3</b>	<b>1840/1875</b>	<b>11.7</b>	"
150	<b>0.83/3.1</b>	<b>1815/1865</b>	<b>12.0</b>	"

FLOW - GALLONS PER MINUTE (LITERS PER MINUTE)

*-SPECIFICATIONS SUBJECT TO CHANGE WITHOUT NOTICE.*

*-ALL DATA BASED ON TESTING WITH WATER AT AMBIENT TEMPERATURE.*

For technical advice or service please take your pump into your local pump service center.

To order pump or parts or for pricing please go to the following links :

[Shurflo Pumps Home >>](#)

[Shurflo Pumps stock list >>](#)